



Part no.
Article no.

SL7-CB-EMH
171449



Powering Business Worldwide™

Catalog No.

SL7-CB-EMH

Delivery programme

Product range
Basic function
Connection technique
Mounting type
Fitted with

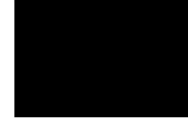
Number of modules
Colour

For use with

Connection to SmartWire-DT

SL7 signal towers
Base module
Spring-loaded terminals
for horizontal mounting
Base with external fixing holes
including cover
max. 5 modules

black



SL7-L-...
SL7-BL-...
SL7-FL-...
SL7-AP-...
no

Approvals

Product Standards
UL File No.
UL Category Control No.
CSA File No.
CSA Class No.
North America Certification
Degree of Protection

IEC/EN 60947-5-1; UL 508; CSA-C22.2 No. 14-10; CSA-C22.2 No. 94-91; CE marking
E29184
NKCR
UL report applies to both US and Canada
NKCR7
UL listed, certified by UL for use in Canada
UL Type 4, 4X, 13

General

Standards
Climatic proofing
Mounting position
Mechanical shock resistance
IEC degree of protection
Protection type UL
Cap colour
Ambient temperature
Number of signal elements
Terminal capacity
Solid or flexible conductor
Flexible with ferrule with plastic collar

Standards		IEC/EN 60947-5-1
Climatic proofing		Damp heat, constant, to IEC 60068-2-78 Damp heat, cyclic, to IEC 60069-2-30
Mounting position		As required
Mechanical shock resistance	g	> 15 according to IEC 60068-2-27 Shock duration 11 ms Sinusoidal
IEC degree of protection		IP66 IEC/EN 60529
Protection type UL		Type 4, 4X, 13
Cap colour		black
Ambient temperature	°C	-30 - +60
Number of signal elements		Max. 5 with standard base Max. 10 with base for mounting on both sides
Terminal capacity		
Solid or flexible conductor	mm ²	0.13 - 2.5
Flexible with ferrule with plastic collar	mm ²	0.25 - 1.5
		AWG 24 - AWG 14

Contacts

Rated impulse withstand voltage
Rated insulation voltage
Overvoltage category/pollution degree

Rated impulse withstand voltage	U_{imp}	V AC	4000
Rated insulation voltage	U_i	V	250
Overvoltage category/pollution degree			III/3

Module

Voltage levels

Voltage levels		24 V AC/DC ± 10 % 110/120 V AC ± 10 % 230/240 V AC ± 10 %
----------------	--	---

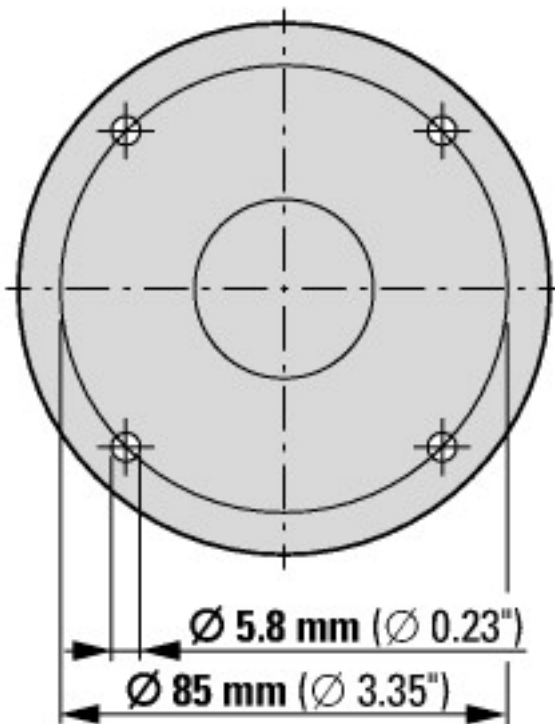
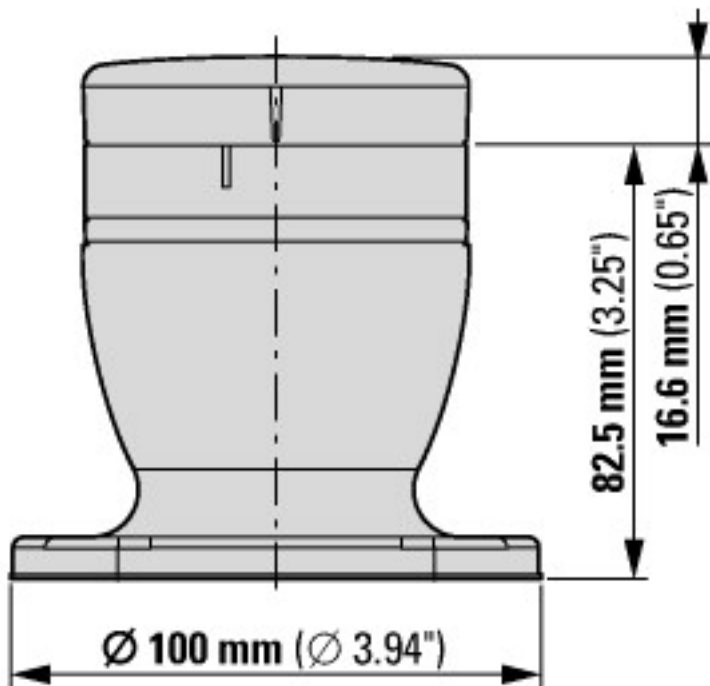
Technical data ETIM 5.0

Low-voltage industrial components (EG000017) / Connection module for signal tower (EC001152)
Electric engineering, automation, process control engineering / Low-voltage switch technology / Command and alarm device / Signal column element, connection module
(ecl@ss8-27-37-12-32 [AKF050010])

Connection type auxiliary circuit
Tube mounting possible
Bracket mounting possible
Floor mounting possible
Colour
Suitable for AS interface

Spring clamp connection
No
Yes
Yes
-
No

Dimensions



Additional product information (links)

IL047003ZU SL7 Base Units

IL047003ZU SL7 Base Units

ftp://ftp.moeller.net/DOCUMENTATION/AWA_INSTRUCTIONS/IL047003ZU2013_02.pdf