



Part no.
Article no.

SL4-PIB-D
171304

Catalog No.

SL4-PIB-D

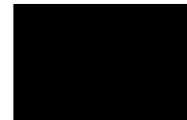
Delivery programme

Product range
Basic function
Connection technique
Mounting type
Fitted with

Number of modules
Colour

SL4 signal towers
Base module
Push in terminals
for vertical mounting on both sides
Base with external fixing holes
including cover
max. 2 x 5 modules

black



For use with

SL4-L-...
SL4-BL-...
SL4-FL-...
SL4-AP-...
no

Connection to SmartWire-DT

Approvals

Product Standards
UL File No.
UL Category Control No.
CSA File No.
CSA Class No.
North America Certification
Degree of Protection

IEC/EN 60947-5-1; UL 508; CSA-C22.2 No. 14-10; CSA-C22.2 No. 94-91; CE marking
E29184
NKCR
UL report applies to both US and Canada
NKCR7
UL listed, certified by UL for use in Canada
UL Type 4, 4X, 13

General

Standards
Climatic proofing
Mounting position
Mechanical shock resistance
IEC degree of protection
Protection type UL
Cap colour
Ambient temperature
Number of signal elements
Terminal capacity
Solid or flexible conductor
Solid or flexible conductor, with ferrule
Flexible with ferrule with plastic collar

Standards		IEC/EN 60947-5-1
Climatic proofing		Damp heat, constant, to IEC 60068-2-78 Damp heat, cyclic, to IEC 60069-2-30
Mounting position		As required
Mechanical shock resistance	g	> 15 according to IEC 60068-2-27 Shock duration 11 ms Sinusoidal
IEC degree of protection		IP66 IEC/EN 60529
Protection type UL		Type 4, 4X, 13
Cap colour		black
Ambient temperature	°C	-30 - +60
Number of signal elements		Max. 5 with standard base Max. 10 with base for mounting on both sides
Terminal capacity		
Solid or flexible conductor	mm ²	0.2 - 1.5
Solid or flexible conductor, with ferrule	mm ²	0,25 - 1,5
Flexible with ferrule with plastic collar	mm ²	0.25 - 0.75
		AWG 24 - AWG 16

Contacts

Rated impulse withstand voltage
Rated insulation voltage
Overvoltage category/pollution degree

U _{imp}	V AC	4000
U _i	V	250
		III/3

Module

Technical data ETIM 5.0

Low-voltage industrial components (EG000017) / Connection module for signal tower (EC001152)

Electric engineering, automation, process control engineering / Low-voltage switch technology / Command and alarm device / Signal column element, connection module
(ecf@ss8-27-37-12-32 [AKF050010])

Connection type auxiliary circuit

Spring clamp connection

Tube mounting possible

No

Bracket mounting possible

Yes

Floor mounting possible

Yes

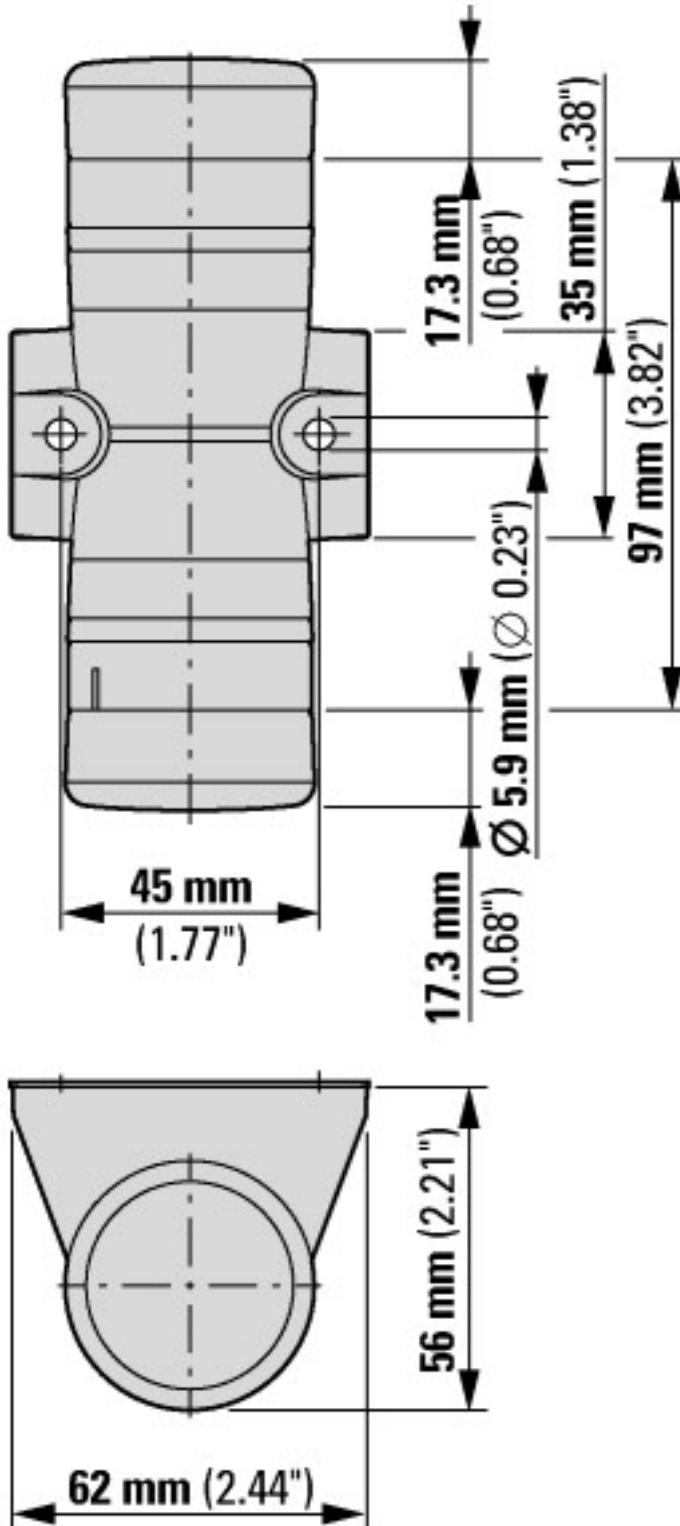
Colour

-

Suitable for AS interface

No

Dimensions



Additional product information (links)

[IL047001ZU SL4 Main Instruction](#)

IL047001ZU SL4 Main Instruction	ftp://ftp.moeller.net/DOCUMENTATION/AWA_INSTRUCTIONS/IL047001ZU2013_02.pdf
IL047001ZU SL4, instructions générales	ftp://ftp.moeller.net/DOCUMENTATION/AWA_INSTRUCTIONS/IL047001ZU2013_02.pdf
IL047002ZU SL4 Drill pattern	
IL047002ZU SL4 Drill pattern	ftp://ftp.moeller.net/DOCUMENTATION/AWA_INSTRUCTIONS/IL047002ZU2013_02.pdf
IL047002ZU plan de perçage pour SL4	ftp://ftp.moeller.net/DOCUMENTATION/AWA_INSTRUCTIONS/IL047002ZU2013_02.pdf