



**Part no.**  
**Article no.**

**SL4-FMS-100**  
**171308**

**Catalog No.**

**SL4-FMS-100**

### Delivery programme

Product range  
Basic function  
Connection technique  
Mounting type  
Fitted with

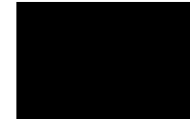
Tube length  
Number of modules  
Colour

For use with

Connection to SmartWire-DT

SL4 signal towers  
Base module  
Screw terminals  
for horizontal mounting  
Base with base adapter for slipping  
onto place (rapid mounting and wiring  
system)  
including cover  
100 mm  
max. 5 modules

black  
Aluminum color tube



SL4-L-...  
SL4-BL-...  
SL4-FL-...  
SL4-AP-...  
no

### Approvals

Product Standards  
UL File No.  
UL Category Control No.  
CSA File No.  
CSA Class No.  
North America Certification  
Degree of Protection

IEC/EN 60947-5-1; UL 508; CSA-C22.2 No. 14-10; CSA-C22.2 No. 94-91; CE marking  
E29184  
NKCR  
UL report applies to both US and Canada  
NKCR7  
UL listed, certified by UL for use in Canada  
UL Type 4, 4X, 13

### General

Standards  
Climatic proofing  
Mounting position  
Mechanical shock resistance  
IEC degree of protection  
Protection type UL  
Cap colour  
Ambient temperature  
Number of signal elements  
Terminal capacity  
Solid or flexible conductor  
Solid or flexible conductor, with ferrule  
Flexible with ferrule with plastic collar

		IEC/EN 60947-5-1
		Damp heat, constant, to IEC 60068-2-78 Damp heat, cyclic, to IEC 60069-2-30
		As required
	g	> 15 according to IEC 60068-2-27 Shock duration 11 ms Sinusoidal
		IP66 IEC/EN 60529
		Type 4, 4X, 13
		black Aluminum color tube
	°C	-30 - +60
		Max. 5 with standard base Max. 10 with base for mounting on both sides
	mm <sup>2</sup>	0.2 - 1.5
	mm <sup>2</sup>	0,25 - 1,5
	mm <sup>2</sup>	0.25 - 0.75
		AWG 24 - AWG 16

### Contacts

Rated impulse withstand voltage

$U_{imp}$	V AC	4000
Rated insulation voltage	$U_i$	V 250
Overvoltage category/pollution degree		III/3

Rated insulation voltage

Overvoltage category/pollution degree

## Module

Voltage levels

		24 V AC/DC $\pm$ 10 % 110/120 V AC $\pm$ 10 % 230/240 V AC $\pm$ 10 %
--	--	---

## Technical data ETIM 5.0

Low-voltage industrial components (EG000017) / Connection module for signal tower (EC001152)

Electric engineering, automation, process control engineering / Low-voltage switch technology / Command and alarm device / Signal column element, connection module  
(ecl@ss8-27-37-12-32 [AKF050010])

Connection type auxiliary circuit

Screw connection

Tube mounting possible

No

Bracket mounting possible

Yes

Floor mounting possible

Yes

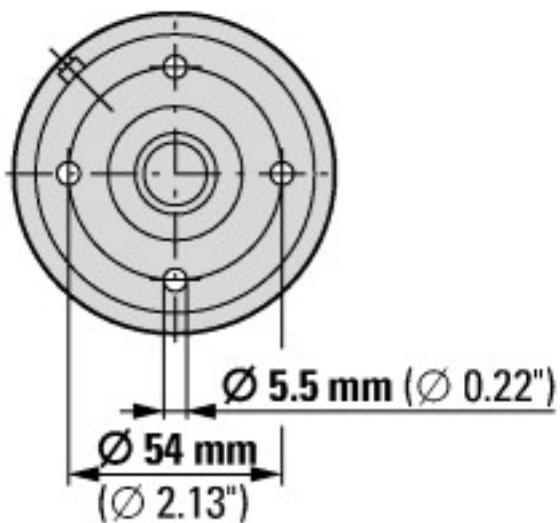
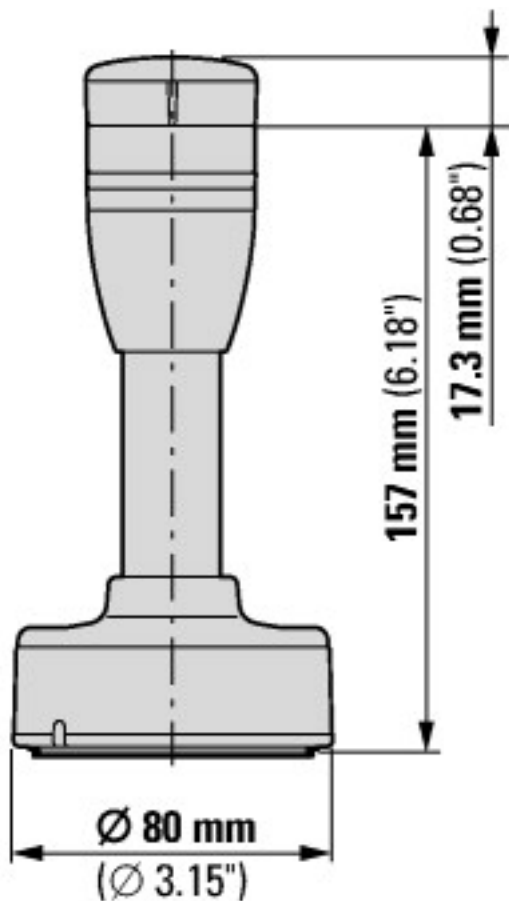
Colour

-

Suitable for AS interface

No

## Dimensions



### Additional product information (links)

<b>IL047007ZU SL4/7 quick mount base</b>	
IL047007ZU SL4/7 quick mount base	<a href="ftp://ftp.moeller.net/DOCUMENTATION/AWA_INSTRUCTIONS/IL047007ZU2013_02.pdf">ftp://ftp.moeller.net/DOCUMENTATION/AWA_INSTRUCTIONS/IL047007ZU2013_02.pdf</a>
IL047007ZU SL4/7 pied de montage rapide	<a href="ftp://ftp.moeller.net/DOCUMENTATION/AWA_INSTRUCTIONS/IL047007ZU2013_02.pdf">ftp://ftp.moeller.net/DOCUMENTATION/AWA_INSTRUCTIONS/IL047007ZU2013_02.pdf</a>
<b>IL047002ZU SL4 Drill pattern</b>	
IL047002ZU SL4 Drill pattern	<a href="ftp://ftp.moeller.net/DOCUMENTATION/AWA_INSTRUCTIONS/IL047002ZU2013_02.pdf">ftp://ftp.moeller.net/DOCUMENTATION/AWA_INSTRUCTIONS/IL047002ZU2013_02.pdf</a>
IL047002ZU plan de perçage pour SL4	<a href="ftp://ftp.moeller.net/DOCUMENTATION/AWA_INSTRUCTIONS/IL047002ZU2013_02.pdf">ftp://ftp.moeller.net/DOCUMENTATION/AWA_INSTRUCTIONS/IL047002ZU2013_02.pdf</a>