

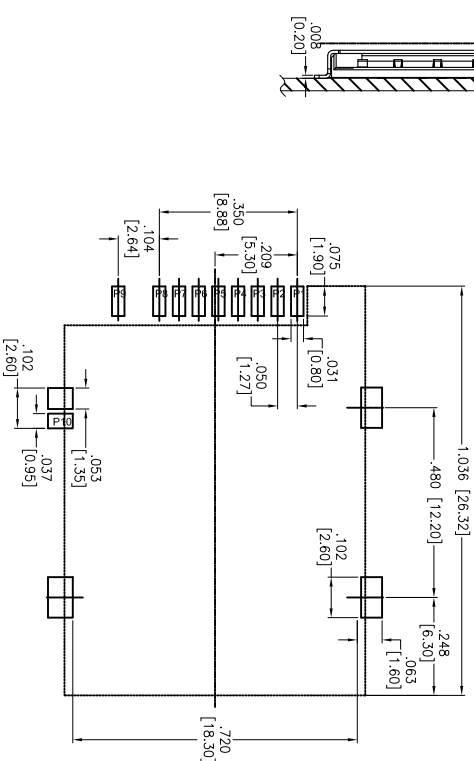
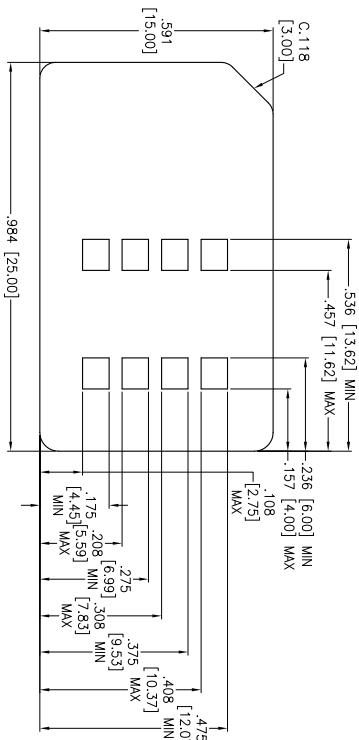
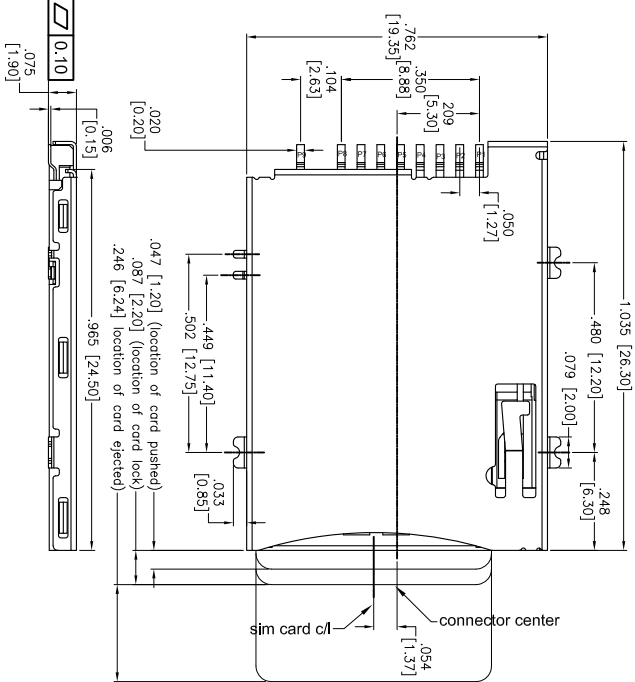
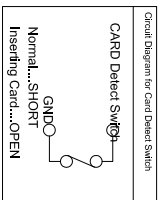
Rev	AWO #	Description	Date	Appr
-		RELEASED	12/6/13	

APPROVED: _____

DATE: _____

TITLE: _____

Connector Terminal NO.	Pin NO.
Pin 1	VCC
Pin 2	GND
Pin 3	RST
Pin 4	VPP
Pin 5	CLK
Pin 6	IO
Pin 7	DAT0
Pin 8	MCMID
Pin 9	CRCARD Detect Switch
Pin 10	GND



RECOMMENDED PCB LAYOUT

PACKAGED ON TAPE & REEL

SPECIFICATIONS:
Material: Insulator: Hi-Temp Thermoplastic, rated UL 94V-0
 Insulator color: Black
 Contact: Phosphor Bronze
 Shell: Stainless Steel, Gold/Nickel plated
Plating: Gold Flash over Nickel underplate on contact area, Tin over Copper underplate on SMT tails
Electrical: Current rating: 0.5 Amps max
 Contact resistance: 100 mohms max
 Insulation resistance: 1000 Mohms min @ 500 VDC
 Dielectric withstanding voltage: 500 VAC for 1 minute
Temperature Rating: Operating temperature: -40°C to +85°C
 Environmental: Lead free, RoHS compliant.

ADAM TECH
 909 Railway Avenue, Union, NJ 07083
 Phone: 908-687-5000 Fax: 908-687-5710

UNLESS OTHERWISE SPECIFIED ALL DIMENSIONS ARE INCHES [MM] TOLERANCES: EXCEPT AS NOTED		TITLE	
INCHES	HOLES	SIM CARD SOCKET 8 PIN, PUSH PUSH TYPE SEL-GOLD PLAYED, WITH SWITCH	
.X ± .10	Ø.X ± .10	SIZE	PART NO.
.XX ± .020	Ø.XXX ± .015	X	SCCP-08-SG-SMT-E-SW-TR
.XXX ± .015	Ø.XXXX ± .010	REF:	S00108C
APPROVALS		DATE	SCALE: NTS
DRAWN	AY	12/6/13	SHEET 1 OF 1
CHECKED	GC	12/6/13	REV.
APPROVED			

ROHS COMPLIANT