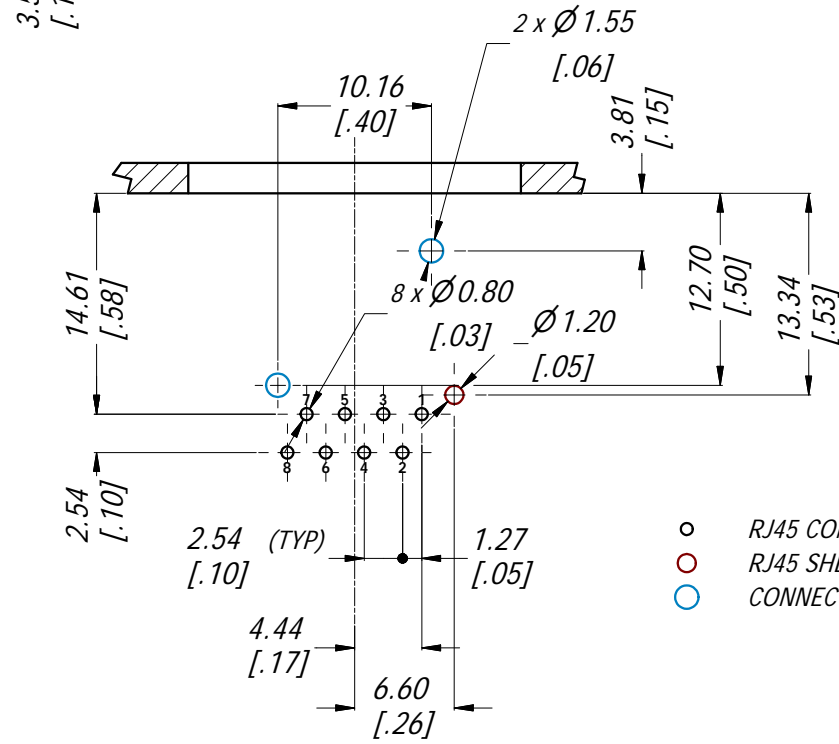


TABLE OF PART NUMBERS

PART No.	FRONT SHELL MATERIAL
RJX8FA3H	PLASTIC BLACK A TYPE
RJX8FB3H	METAL NICKEL PLATED B TYPE

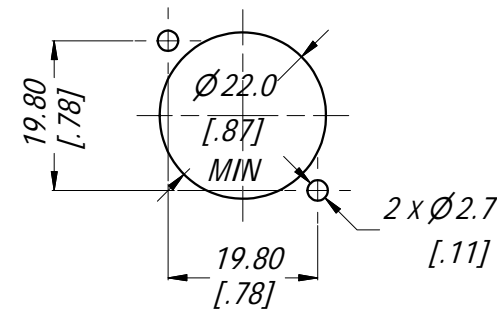


PCB LAYOUT  
2:1  
(CONNECTOR TOP VIEW)

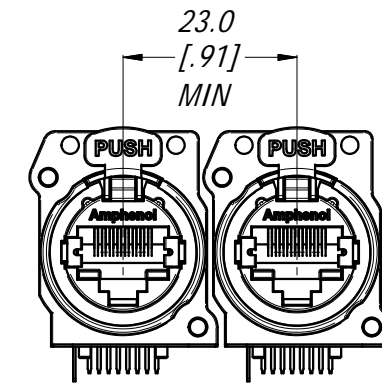
PSE PINOUT ALTERNATIVES

CONDUCTOR	Alternative-A (MDI-X)	Alternative-A (MDI)	Alternative-A (All)
1	Negative V <sub>PSE</sub>	Positive V <sub>PSE</sub>	
2	Negative V <sub>PSE</sub>	Positive V <sub>PSE</sub>	
3	Positive V <sub>PSE</sub>	Negative V <sub>PSE</sub>	
4			Positive V <sub>PSE</sub>
5			Positive V <sub>PSE</sub>
6	Positive V <sub>PSE</sub>	Negative V <sub>PSE</sub>	
7			Negative V <sub>PSE</sub>
8			Negative V <sub>PSE</sub>

- RJ45 CONTACTS
- RJ45 SHELL GROUND CONTACT
- CONNECTOR LOCATION PINS



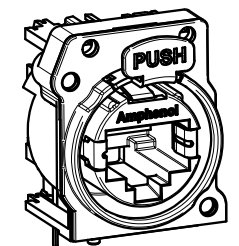
PANEL CUT OUT  
1:1  
(CONNECTOR FRONT VIEW)



MIN MOUNTING PITCH  
1:1

SPECIFICATIONS:

- MATERIALS:
  - PLASTIC INSERT & HOUSING: HIGH TEMPERATURE THERMOPLASTIC FLAMMABILITY RATING UL94V-0 DSM Stanyl, 30% BLACK
  - FRONT METAL SHELL: PLASTIC OR ZINC ALLOY ZAMAK 3, NICKEL PLATE (B TYPE) OR PLASTIC (A TYPE)
  - CONTACTS: PHOSPHORE BRONZE, 1.27 um GOLD PLATE ON MATING SURFACES, 1.27 um NICKEL MIN UNDERPLATE. 3.81 um MIN MATTE TIN ON CONTACT TAILS.
  - LATCH LOCK AND SPRING: SPRING STEEL, NICKEL PLATE.
  - EMI/RFI HOOD: BRASS, TIN PLATE
- ELECTRICAL CHARACTERISTICS:
  - RATED VOLTAGE: 125 VAC
  - TYPICAL CONTACT RESISTANCE: 20 mOhm
  - INSULATION RESISTANCE: >500 MOhm
  - DIELECTRIC STRENGTH: 1000 VAC, 60 SECONDS
  - TRANSMISSION SPECIFICATION/CLASS: CLASS D, 10/100 BASE-T
  - PoE+ COMPLIES WITH 802.3at Type 2 (SEE PSE PINOUT ALTERNATIVE TABLE)



3D VIEW  
1:1

UNLESS OTHERWISE SPECIFIED TOLERANCE TO BE		THIS DOCUMENT IS THE PROPERTY OF AMPHENOL AUSTRALIA PTY. LTD. NO PART THEREOF MAY BE REPRODUCED AND USED WITHOUT THE PRIOR WRITTEN CONSENT OF THE OWNER.			<b>Amphenol</b>		Amphenol Australia Pty.Ltd, 20 Industry Blvd, Carrum Downs VIC 3201 Australia	
LINEAR	ANGULAR	MATERIAL:	DRN:	T.N	DATE:	31/10/12	TITLE:	
X ± 0.5	X' ± 1	REFER TO SPECIFICATION	CKD:	P.M	DATE:	31/10/12	XLRnet CONNECTOR RJ45 RECP CAT3 NON-LED & EMI SHIELD	PART No:
X.X ± 0.1	X.X' ± 30'		APP'D:	P.M	DATE:	31/10/12		REFER TO TABLE OF PART NUMBERS
X.X ± 0.05	X.X' ± 15'	DO NOT SCALE	FINISH:		SCALE:	3:2	SIZE:	A3
DIMENSIONS IN MILLIMETRES		THIRD ANGLE PROJECTION		SCALE:		3:2	PART No: 88010871-000	
							REV	
							1	
							SHEET	
							1/1	