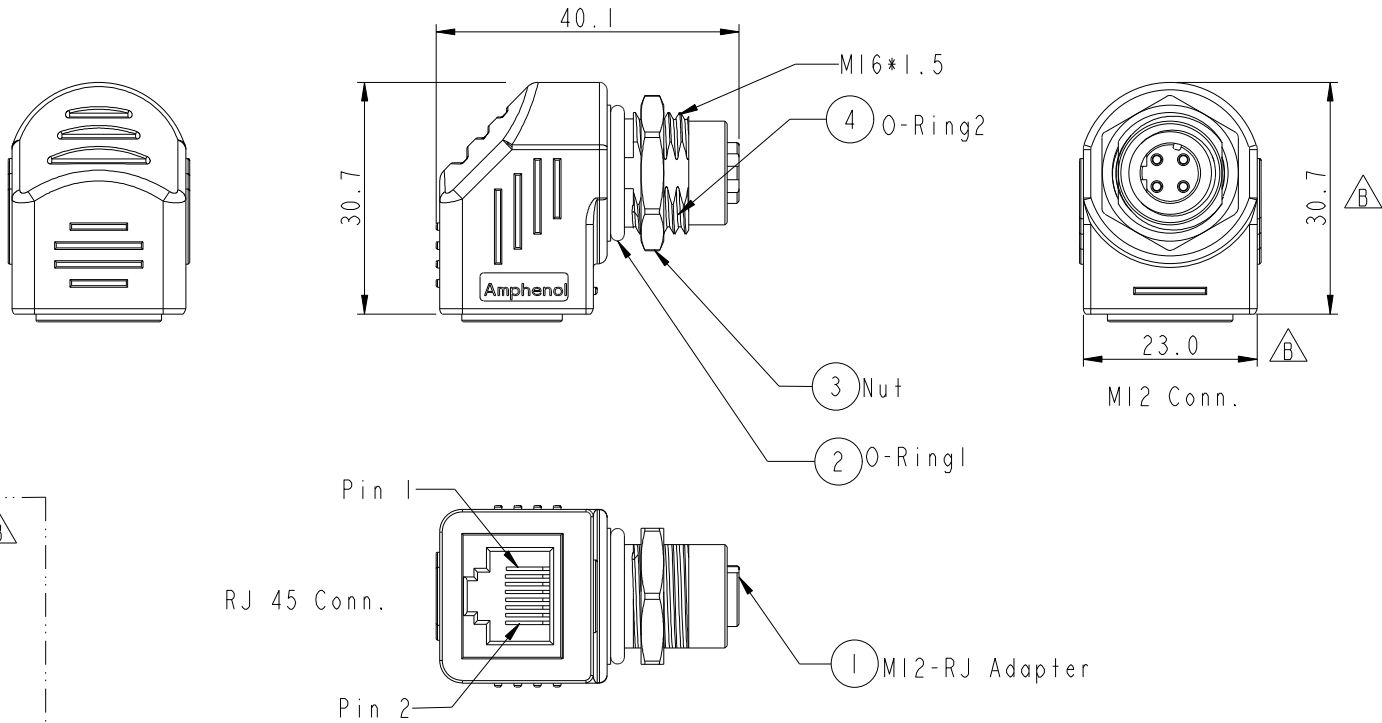
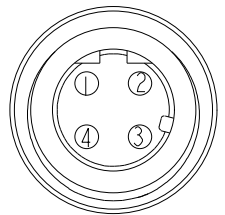


REV.	ECN NO.	DATE	SIGN	DESCRIPTION
A		2013-02-06	Lu Di	Change Rev.01 To Rev.A
B	LE31350016	2013-04-22	Lu Di	Update The Dimensions & Pin Out

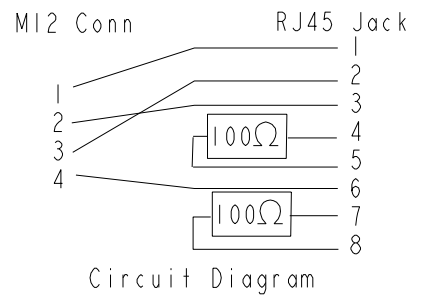
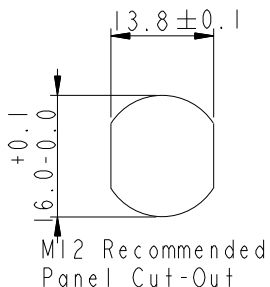


ALTW
CONFIDENTIAL
2013-04-22
R&D DEPT.



- Note:
- * \varnothing Important Dimension
 - * Waterproof Rate: IP65(MOLDING)
 - * Waterproof Rate: IP68(MI2)
(Under Water 1M 24 hours)
 - * Pin: Copper Alloy, Gold Plated
 - * Nut: Zinc Alloy, Nickel Plated
 - * Shield: Copper Alloy, Nickel Plated
 - * O-Ring1: Viton, Black.
 - * O-Ring2: Viton, Green.
 - * Jack: PBT, Black.
 - * Housing: Nylon+GF, Black.
 - * Panel Thickness Max: 5.0mm

ALTW
DCC. DEPT.
CONFIDENTIAL
2013.05.08
ISSUED



UNIT: mm

TOLERANCE

±0.5mm

TITLE			
ADAPTOR, SHIELDED M12 D CODE TO RJ45			
SCALE	SIZE	SHEET	OF
1:1	A4	1	2
REV.	WC-REV.	QC: Inspection item	
B	A.2		

Amphenol LTW
安費諾亮泰企業股份有限公司

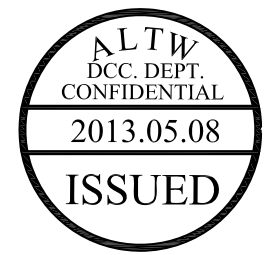
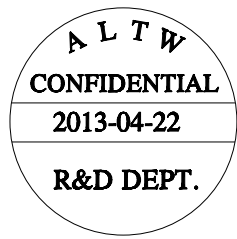
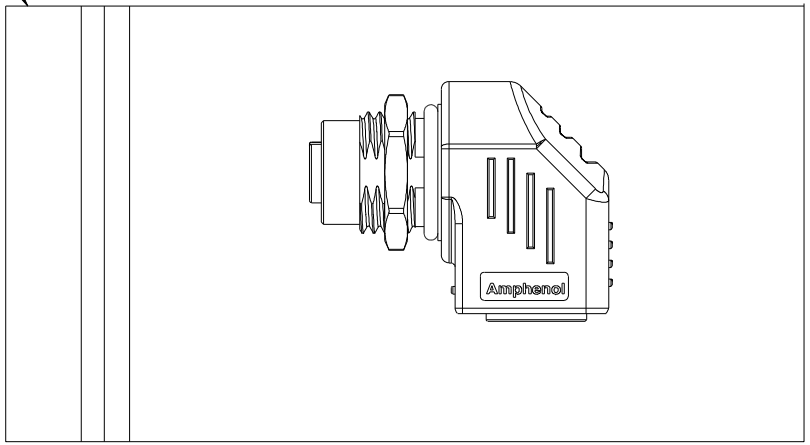
ITEM NO	DRAWN BY	DATE
RJS-12D04FF-RS8001	Di_lu	2013-04-22
DWG NO	CHECKED BY	DATE
RJS-12D04FF-RS8001	Mafei	2013-04-22
CUSTOMER	APPROVED BY	DATE
ALTW	Victor	2013-04-22

THIS DOCUMENT IS SUBJECT TO CHANGE WITHOUT NOTICE. IT IS CONFIDENTIAL AND A PROPERTY OF Amphenol LTW. DISCLOSURE TO THIRD PARTY HAS TO BE AUTHORIZED BY Amphenol LTW.

THIS DOCUMENT IS SUBJECT TO CHANGE WITHOUT NOTICE. IT IS CONFIDENTIAL AND A PROPERTY OF Amphenol LTW. DISCLOSURE TO THIRD PARTY HAS TO BE AUTHORIZED BY Amphenol LTW.

1	2	3	4	5	6	7	8
REV.	ECN NO.	DATE	SIGN	DESCRIPTION			

Zipper Bag (5)



* 1 Product With 1 Zipper Bag

A	UNIT:mm		TITLE ADAPTOR, SHIELDED M12 D CODE TO RJ45			Amphenol LTW 安費諾亮泰企業股份有限公司	ITEM NO	DRAWN BY	DATE
	TOLERANCE		SCALE	SIZE	SHEET		DWG NO	CHECKED BY	DATE
	±0.5mm		1:1	A4	2 OF 2		RJS-12D04FF-RS8001	Mafei	2013-04-22
			REV.	WC-REV.	QC: Inspection item	CUSTOMER	APPROVED BY	DATE	
			B	A.2		ALTW	Victor	2013-04-22	
			2	3	4	5	6	7	8