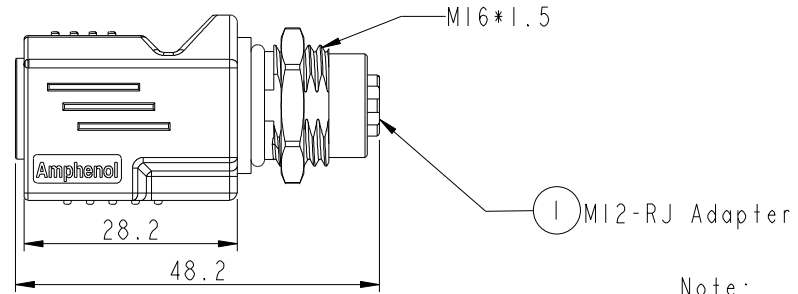
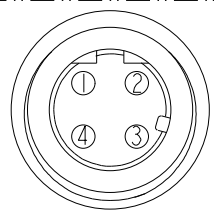
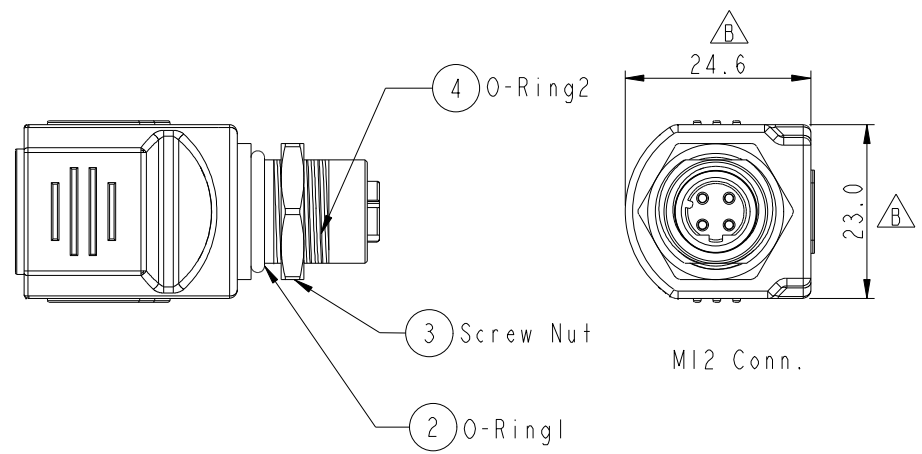
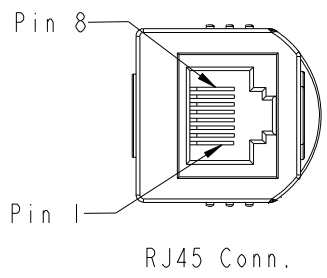


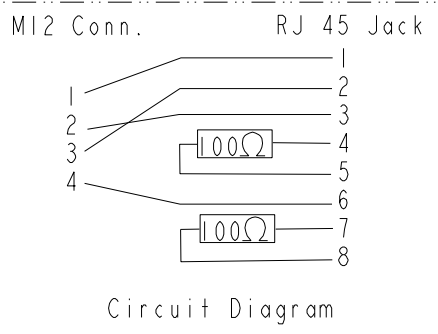
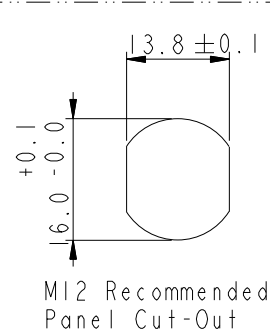
THIS DOCUMENT IS SUBJECT TO CHANGE WITHOUT NOTICE. IT IS CONFIDENTIAL AND A PROPERTY OF Amphenol LTW. DISCLOSURE TO THIRD PARTY HAS TO BE AUTHORIZED BY Amphenol LTW.

REV.	ECN NO.	DATE	SIGN	DESCRIPTION
A		2013-02-06	Lu Di	Change Rev.01 To Rev.A
B	LE31350017	2013-04-22	Lu Di	Add The Dimensions



ALTW
CONFIDENTIAL
2013-04-22
R&D DEPT.

- Note:
- * \varnothing Important Dimension
 - * Waterproof Rate: IP65(MOLDING)
 - * Waterproof Rate: IP68(M12)
(Under Water 1M 24 hours)
 - * Pin: Copper Alloy, Gold Plated
 - * Nut: Zinc Alloy, Nickel Plated
 - * Shield: Copper Alloy, Nickel Plated
 - * O-Ring1: Viton, Black.
 - * O-Ring2: Viton, Green.
 - * Jack: PBT, Black.
 - * Housing: Nylon+GF, Black.
 - * Panel Thickness Max: 5.0mm



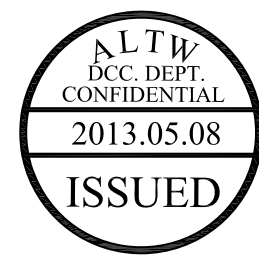
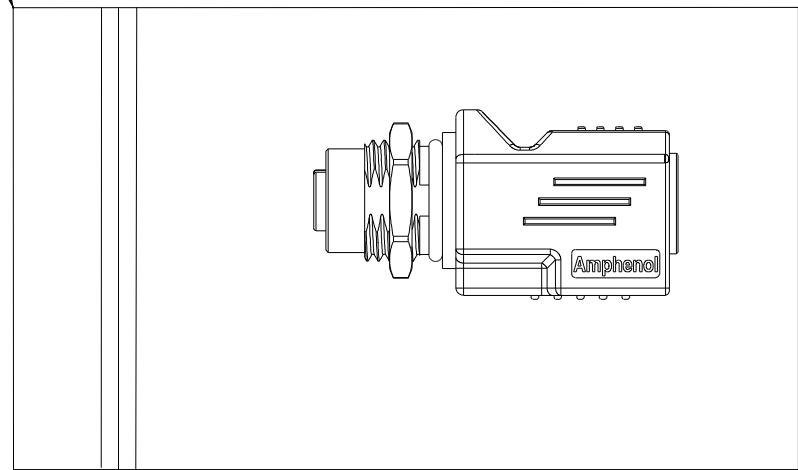
ALTW
DCC. DEPT.
CONFIDENTIAL
2013.05.08
ISSUED

A	UNIT: mm	TITLE ADAPTOR, SHIELDED M12 D CODE TO RJ45		Amphenol LTW 安費諾亮泰企業股份有限公司	ITEM NO	RJS-12D04FF-LS8001	DRAWN BY	Di_lu	DATE	2013-04-22	
	TOLERANCE ±0.5mm	SCALE 1:1	SIZE A4		SHEET 1 OF 2	DWG NO	RJS-12D04FF-LS8001	CHECKED BY	Mafei	DATE	2013-04-22
		REV. B	WC-REV. A.2		\varnothing : Inspection item	CUSTOMER	ALTW	APPROVED BY	Victor	DATE	2013-04-22

THIS DOCUMENT IS SUBJECT TO CHANGE WITHOUT NOTICE. IT IS CONFIDENTIAL AND A PROPERTY OF AMPHENOL LTW. DISCLOSURE TO THIRD PARTY HAS TO BE AUTHORIZED BY AMPHENOL LTW.

1	2	3	4	5	6	7	8
REV.	ECN NO.	DATE	SIGN	DESCRIPTION			

Zipper Bag (5)



* 1 Product With 1 Zipper Bag

A	UNIT:mm			TITLE ADAPTOR, SHIELDED M12 D CODE TO RJ45			Amphenol LTW		ITEM NO	DRAWN BY	DATE
	TOLERANCE ±0.5mm			SCALE 1:1	SIZE A4	SHEET 2 OF 2	安費諾亮泰企業股份有限公司		DWG NO	CHECKED BY	DATE
				REV. B	WC-REV. A.2				CUSTOMER ALTW	APPROVED BY Victor	DATE 2013-04-22
	1	2	3	4	5	6	7	8	FMW10702-01-02A1		