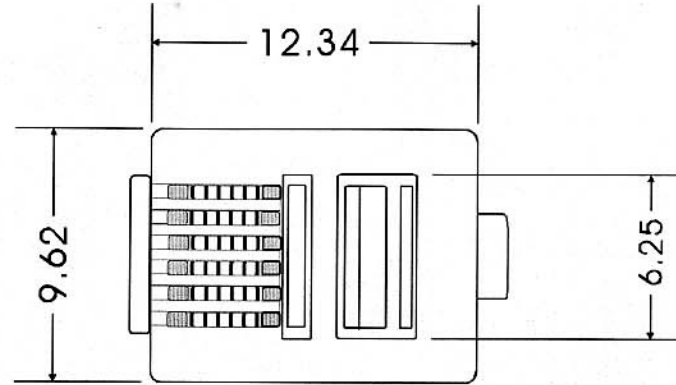
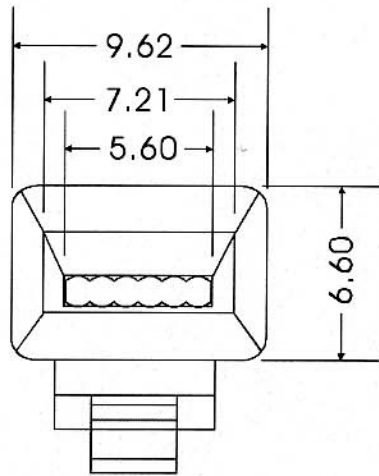
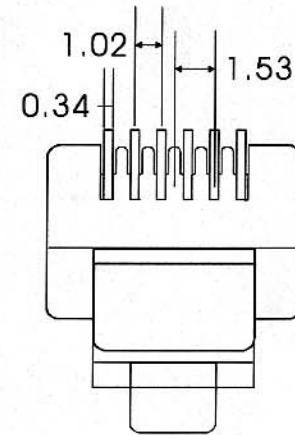
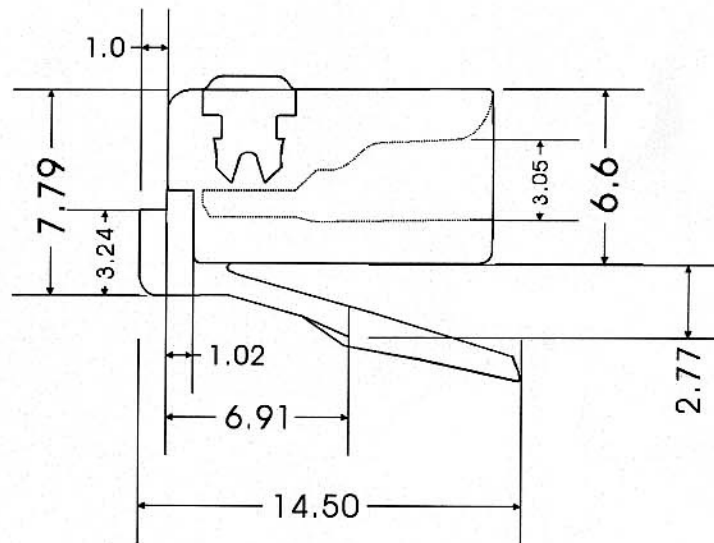
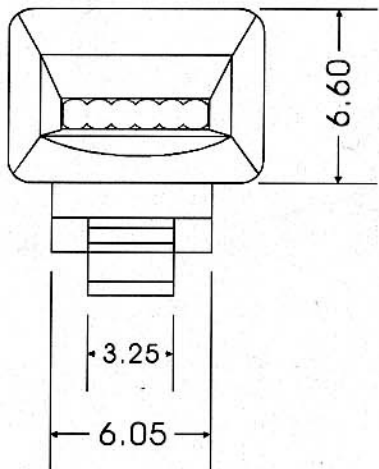


WITH FLAT CABLE



WITH ROUND CABLE



SPECIFICATIONS:

1.ELECTRICAL:

UL APPLICATIONS: 250 VOLTS AC MAX., AT 2 AMPS.
 DIELECTRIC WITH STANDING VOLTAGE : 500 VOLTS AC.
 INSULATION RESISTANCE: 500
 TERMINATION: RESISTANCE 35 MEGAOHMS.

2.MECHANICAL:

CABLE-TO-PLUG TENSILE STRENGTH : 20 lbs (89N) MIN.
 DURABILITY : 2000 MATING CYCLES.

3.MATERIAL & FINISH:

HOUSING: POLYCARBONATE, UL94V-0 OR UL94V-2.
 COLOR : (TRANSPARENT COLOR AVAILABLE).
 CONTACT BLADE: PHOSPHOR BRONZE
 CONDUCTOR : STRANDED, 24-26 AWG.
 GOLD PLATING: 3-50u" ARE AVAILABLE

UNIT

SCALE

PART NAME

MM

2 : 1

PLUG COVER

APPD.

CKD.

TOLERANCE

PART NO.

REV.

2000/05/14

DWG.

APPROVED

TINA

SHELLEY

± 0.5

A