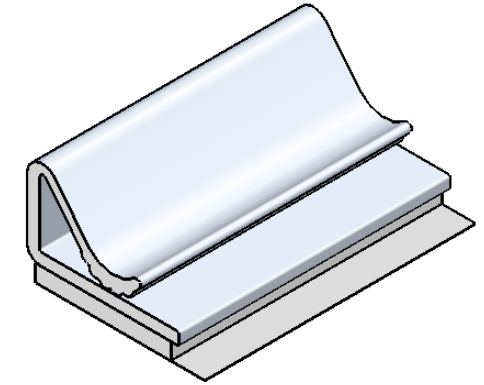


PART NO.	"A" ± 0.4 [.020]	"B" REF.	"C" REF.	MATERIAL COLOUR
CFCC-3-05A4-RT	14.3 [9/16]	12.4 [.49]	4.6 [.18]	NORYL, RMS-05 (WHITE)
CFCC-4-05A-RT	14.3 [9/19]	10.2 [.40]	6.4 [.25]	
CFCC-8-05A4-RT	27.0 [1-1/16]	22.3 [.88]	6.4 [.25]	
CFCC-8-04A4-RT	27.0 [1-1/16]	22.3 [.88]	6.4 [.25]	RIGID PVC, RMS-04 (GREY)
CFCC-4-04A4-RT	14.3 [9/16]	10.2 [.40]	6.4 [.25]	


REV.	MODIFICATION.	DATE	DRN
01	ECN2007-242	19/12/07	SF



NOTES:

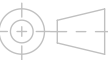
1. ACRYLIC ADHESIVE, YELLOW PE FILM LINER, WHITE PE FOAM (RMS-324).
2. DOUBLE SIDED ADHESIVE TAPE 0.8 [1/32] THICK FOR -3. 1.6 [1/16] THICK FOR -4 & -8.
3. CUSTOM LENGTHS AVAILABLE BY SPECIAL ORDER.
4. PARTS AVAILABLE WITHOUT TAPE BY SPECIAL ORDER. TO ORDER REMOVE SUFFIX "-A4-RT" FROM THE PART NUMBER.

INFORMATION CONTAINED IN THIS DOCUMENT IS CONFIDENTIAL TO RICHCO INTERNATIONAL Co. Ltd. AND MAY NOT BE DISCLOSED OR REPRODUCED IN WHOLE OR PART WITHOUT THEIR WRITTEN CONSENT.



ALL DIMENSIONS IN mm[in]
 GENERAL TOLERANCES ± 0.25
 UNLESS OTHERWISE STATED
 1 DECIMAL PLACE ± 0.25
 2 DECIMAL PLACES ± 0.10
 ANGULAR ± 1°

THIRD ANGLE



MATERIAL: SEE TABLE			COLOUR: SEE TABLE		
DESCRIPTION: CONTINUOUS FLAT CABLE CLAMP			PART No: SEE TABLE		
DRG No: 07-147		NPR No: N/A		Mass:(g) 0.9	SHEET SIZE A4
DRN SF	DATE 19/12/07	CHKD NBr	DATE 19/12/07	SCALE NTS	SHEET No. 1 OF 1