



Model Number

REF-C110-2

Reflector, round \varnothing 84 mm, central mounting hole

Features

- Mounting holes for simple installation

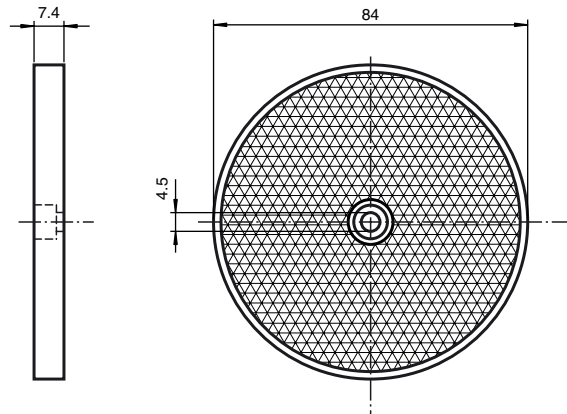
Reflector with mounting holes

Accessories

OMH-C110-01

Mounting bracket

Dimensions



Technical data

General specifications

Construction type circular

Ambient conditions

Ambient temperature -20 ... 85 °C (-4 ... 185 °F)

Mechanical specifications

Material PMMA/ABS

Dimensions Diameter: 84 mm

Mounting mounting hole