
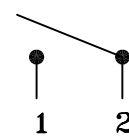
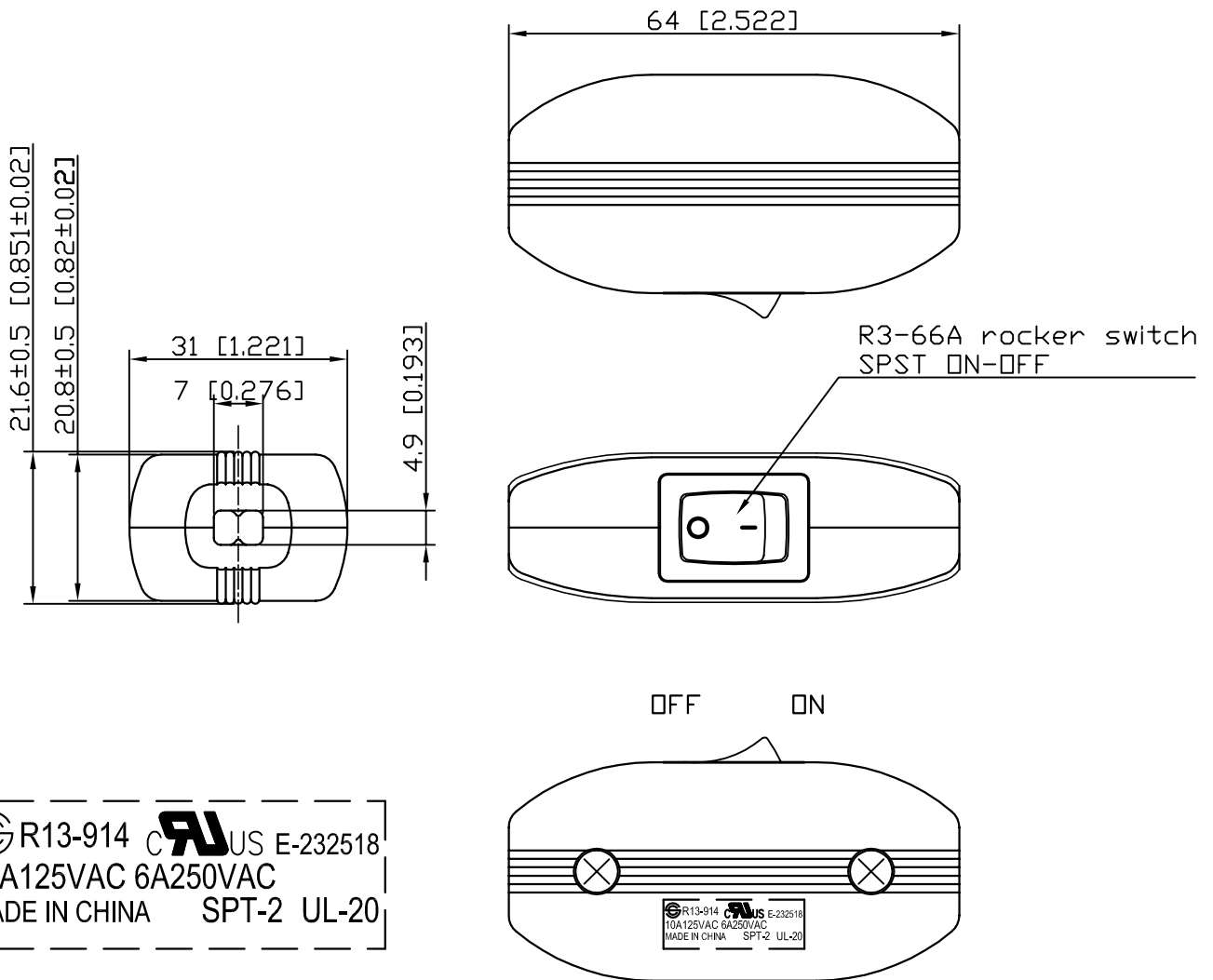



Rating	10A125VAC 6A250VAC T85 UL-20  US	 <p>SPST 2P ON-OFF</p>
Contact R	50m ohm Max.	
Insulation R	DC 500V 100M ohm Min.	
Dielectric Strength	AC 1500V 1 minute	
Operation temp	-20°C ~ 85°C	

Material of case are nylon-66.
Switch operation force: 450g±150g



Tolerance ±0.3 except noticed

C8\R13\R13-914

							△
							△
Date	Name	Descriptions					NO
Drawing	Check	Approval	SCI No.	1910024	Model Name	Through Cord Switch	
曹盈芳		李景煌	Customer No.		Model No.	R13-914	
02/17/'04		02/17/'04	Unit	mm	 SHIN CHIN INDUSTRIAL CO., LTD.		