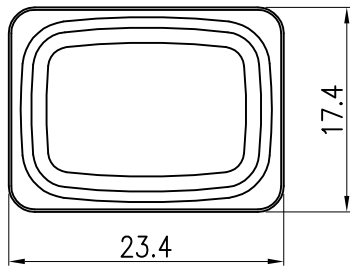
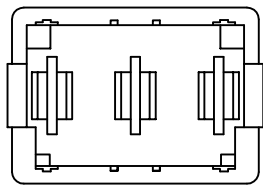
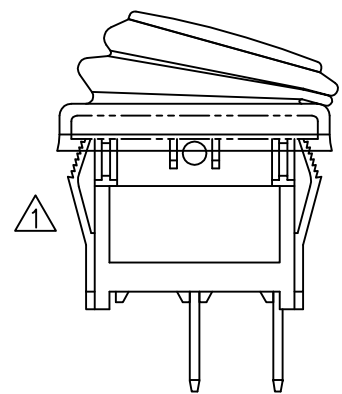
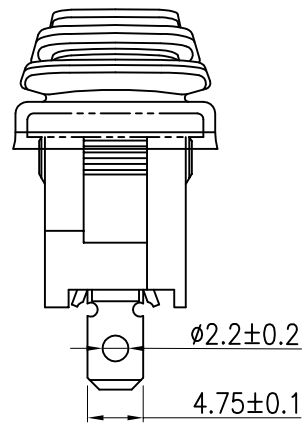
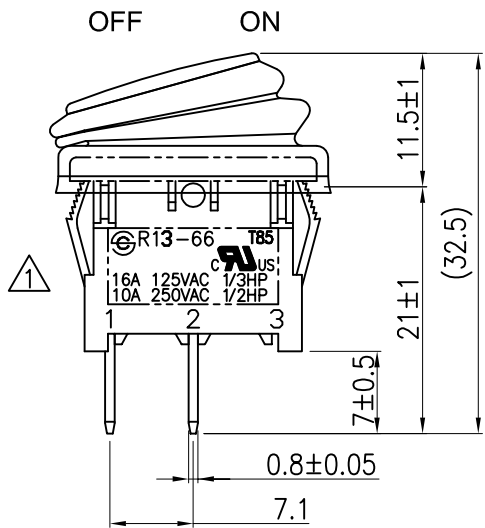


Rating	16A 125VAC 1/3HP 10A 250VAC 1/2HP											
Contact Resistance	50m ohm Max.											
Insulation Resistance	DC 500V 100M ohm Min.											
Dielectric Strength	AC 1500V 1 minute											
Operation Temperature	-25°C~85°C											
Switch Function	2P SPST ON-OFF	<table border="1"> <tr> <th>Thickness</th> <th>X</th> <th>Y</th> </tr> <tr> <td>0.75...1.5</td> <td>19.4-0.1</td> <td>13+0.1</td> </tr> <tr> <td>1.5...2.5</td> <td>19.8-0.1</td> <td>13+0.1</td> </tr> </table>	Thickness	X	Y	0.75...1.5	19.4-0.1	13+0.1	1.5...2.5	19.8-0.1	13+0.1	
Thickness	X	Y										
0.75...1.5	19.4-0.1	13+0.1										
1.5...2.5	19.8-0.1	13+0.1										



Material:  
 Frame: Black, Nylon 66  
 Actuator: Black, PC  
 Waterproof Rubber: Black, Silicone  
 Terminals: Silver plated, Copper alloy  
 Hot stamping: None  
 Waterproof: IP65



Tolerances ±0.3 Unless Otherwise Specified

05/30/11	雷云飛	更新本體刻字內容				△
Date	Name	Description				No.
Drawn	Checked	Approved	SCI BOM No.	1823803	Model Name	ROCKER SWITCH
雷云飛	鐘偉航	李元生	Customer No.		Model No.	R13-66A8-02
05/30/11	07/05/11	07/13/11	Unit	mm	Shin Chin Industrial Co., Ltd.	
						Rev. 1