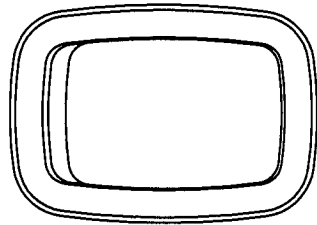
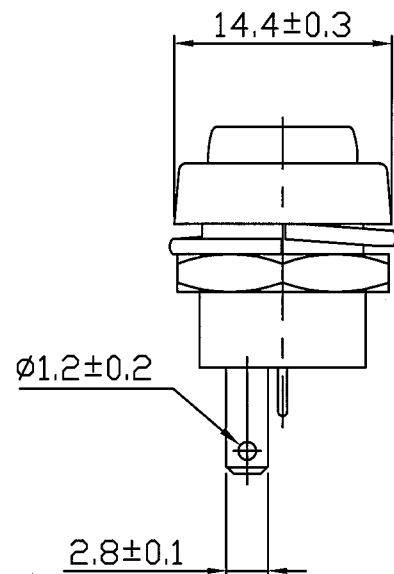
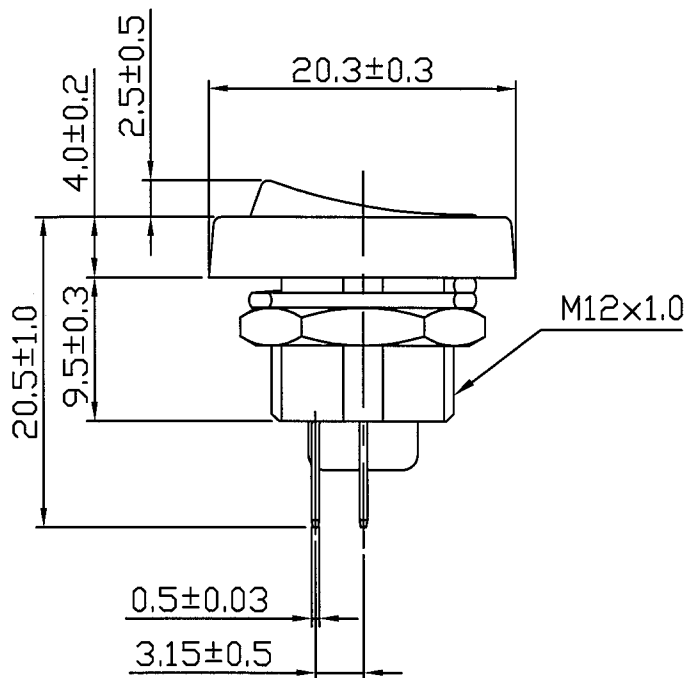


Rating	6A 125V, 3A 250V AC	Mounting Hole	Circuit Diagram
Contact Resistance	50m ohm Max.		
Insulation Resistance	DC 500V 100M ohm Min.		
Dielectric Strength	AC 1000V 1 minute		
Switch Function	2P SPST ON-OFF		



Material:
 Frame: Nylon#66 , Black
 Actuator: Nylon#66 , Black
 Printed: None



								△
								△
Date	Name	Description						NO
Drawn	Checked	Approved	SCI BOM NO.	1822117	Model Name	ROCKER SWITCH		
曹盈芳		王作山	Customer No.		Model No.	R13-213A-03	Rev.	0
09/30/14		9/30/14	Unit	mm	Shin Chin Industrial Co., Ltd.			0