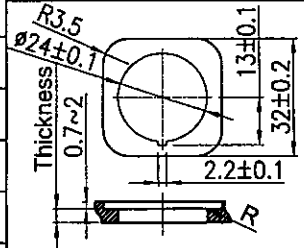
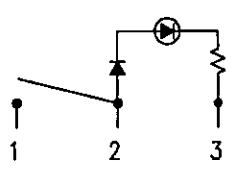
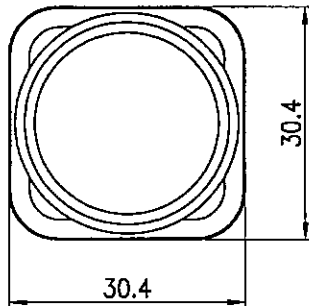
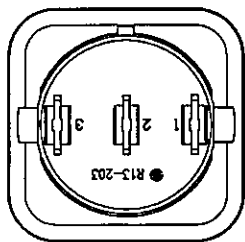
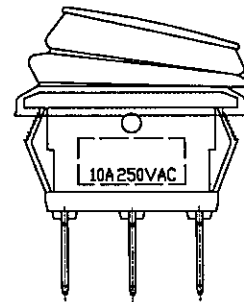
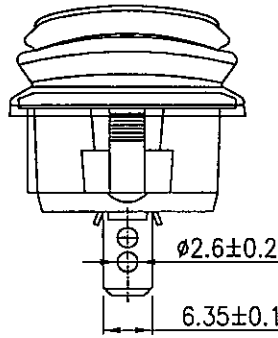
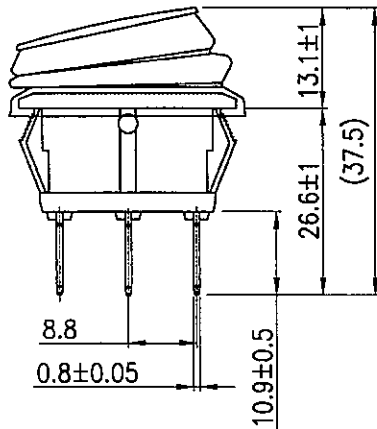


Rating	10A 250V AC	 <p>Mounting Hole</p> <p>Thickness 1~3 mm</p>	 <p>Circuit Diagram</p>
Contact Resistance	50m ohm Max		
Insulation Resistance	DC 500V 100M ohm Min		
Dielectric Strength	AC 1500V 1 minute		
Operation Temperature	-25°C~85°C		
Switch Function	3P SPST ON-OFF With LED		



Material:  
 Frame: Black, Nylon 66  
 Actuator: Red, PC  
 Terminals: Copper alloy  
 Waterproof Rubber: Silicone  
 Waterproof: IP65



Tolerances ±0.3 Unless Otherwise Specified

						△	
						△	
Date	Name	Description				No.	
Drawn	Checked	Approved	SCI BOM No	1824483	Model Name	ROCKER SWITCH	
雷云飛	<i>[Signature]</i>	<i>[Signature]</i>	Customer No		Model No.	R13-203B84-01-BRRN5	Rev.
05/30/11	6/11/11	6/18/11	Unit	mm	Shin Chin Industrial Co., Ltd.		0

12042 6/19-11