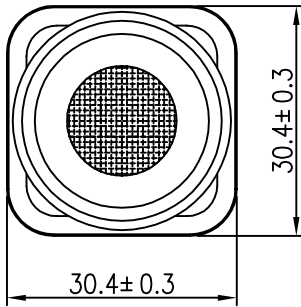
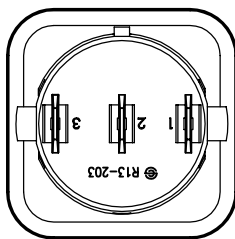
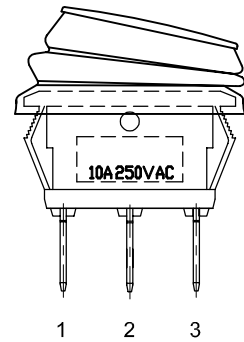
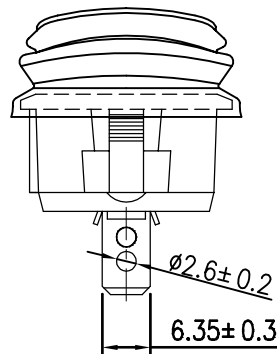
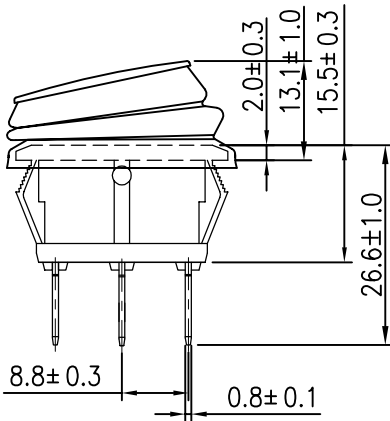


Rating	10A 250V AC		
Contact Resistance	50m ohm Max.		
Insulation Resistance	DC 500V 100M ohm Min.		
Dielectric Strength	AC 1500V 1 minute		
Operation Temperature	-25° C~85° C		
Switch Function	3P SPST ON-OFF With LED	Thickness 1.0~3.0 mm	



\*MATERIAL:  
 Frame: Black, Nylon 66 (94-V2)  
 Actuator: Green, PC (94-V2)  
 Terminals: Silver plated, Copper alloy  
 Waterproof Rubber: Silicone  
 \*Waterproof: IP65



Tolerance:±0.3mm unless otherwise specified

C8\R13\R13-203B84-01-BGGN5

								△
								△
Date	Name	Description						NO
Drawn	Checked	Approved	SCI BOM No.	1825253	Model Name	ROCKER SWITCH		
曹盈芳	蘇崇仁	王佰山	Customer No.		Model No.	R13-203B84-01-BGGN5	Rev.	0
11/21/'11	11/21/'11	11/22/'11	Unit	mm	Shin Chin Industrial Co., Ltd.			