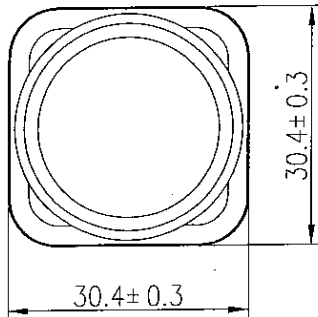
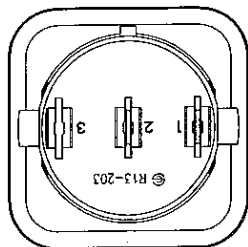
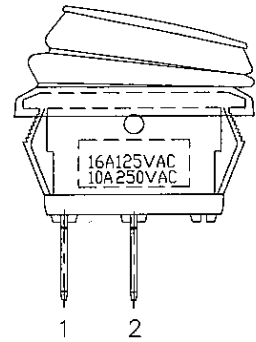
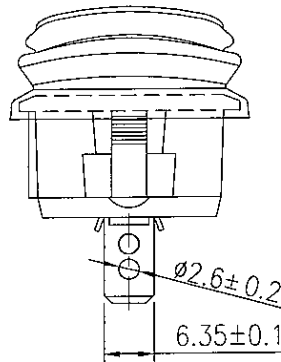
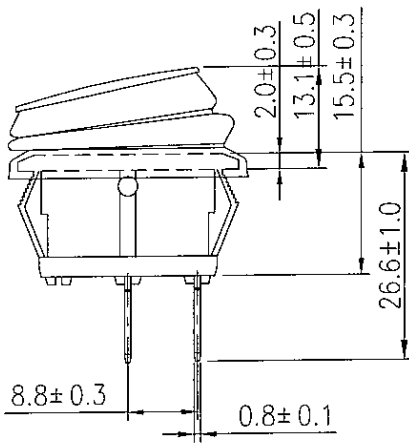


Rating	16A 125V AC 10A 250V AC	Mounting Hole	Circuit Diagram
Contact Resistance	50m ohm Max.		
Insulation Resistance	DC 500V 100M ohm Min.		
Dielectric Strength	AC 1500V 1 minute		
Operation Temperature	-25°C~85°C		
Switch Function	2P SPST ON-OFF		



\*MATERIAL:  
 Frame: Black, Nylon 66 (94-V2)  
 Actuator: Black, PC (94-V2)  
 Terminals: Silver plated, Copper alloy  
 Waterproof Rubber: Silicone  
 \*Waterproof: IP65  
 Tolerance: ±0.3mm unless otherwise specified



A4

						△
						△
						NO
Date	Name	Description				
Drawn	Checked	Approved	SCI BOM No.	Model Name	ROCKER SWITCH	
蘇崇仁		<i>D&amp;L</i>	Customer No.	Model No.	R13-203A84-01-BBNN5	REV.
5/22/'09		<i>6/1/09</i>	Unit	mm	SHIN CHIN INDUSTRIAL CO., LTD.	
						0