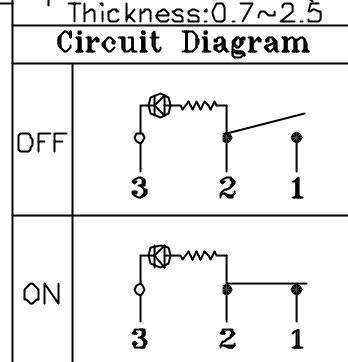
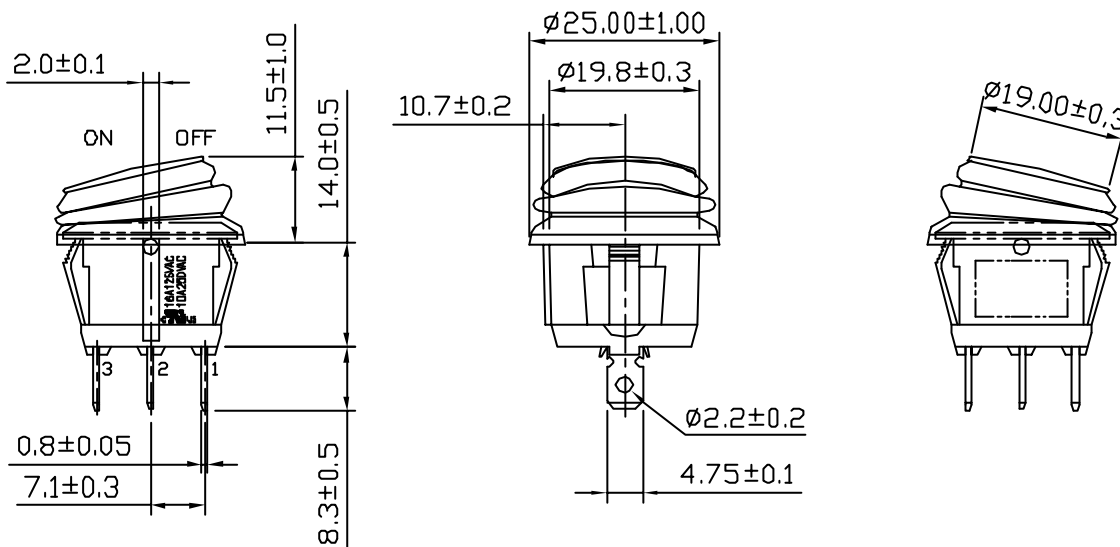
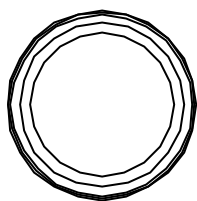


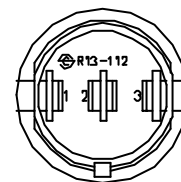
Rating	10A 24VDC	<p style="text-align: center;">Mounting Hole</p>
Contact Resistance	50m ohm Max.	
Insulation Resistance	DC 500V 100M ohm Min.	
Dielectric Strength	AC 1500V 1 minute	
Operation Temperature	-20°~85°	
Switch Function	3P SPST ON-OFF (LED)	



*MATERIAL:
 Frame: Nylon 66
 Actuator: PC
 Waterproof rubber: Silicone
 Terminals: Silver plated, Copper alloy
 Hot Stamping: None
 Waterproof: IP65



COLOR	Frame	Actuator	Waterproof rubber
SCI No. 1824022	Black	Yellow clear	Black
1824023	Black	Blue clear	Black
1824024	Black	Green clear	Black



CB\R13\R13-112B8W-02(1824022,023,024)

								△
								△
Date	Name	Description				REV.	0	NO
Drawn	Checked	Approved	SCI BOM NO.	SEE TABLE	Model Name	ROCKER SWITCH		
曹盈芳	王佰山	李景煌	Customer No.		Model No.	R13-112B8W-02	REV.	
09/20/'07	09/20/'07	09/20/'07	Unit	mm	SHIN CHIN INDUSTRIAL CO., LTD.			0