
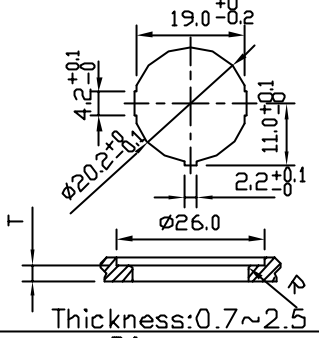
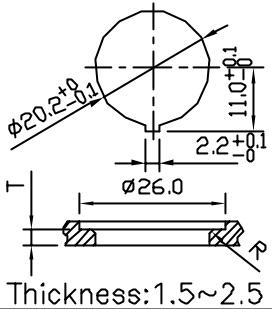
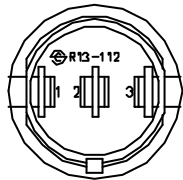
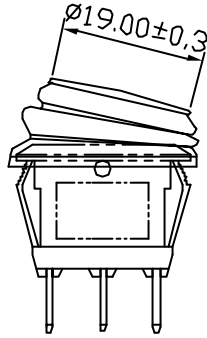
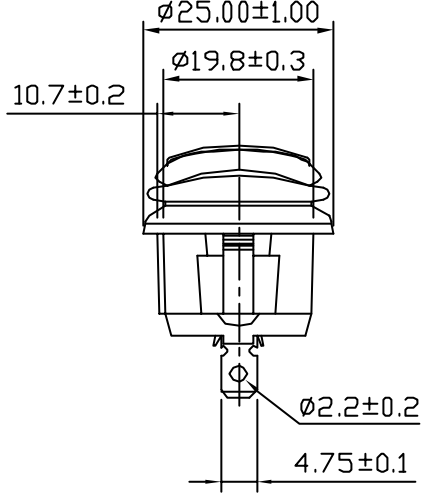
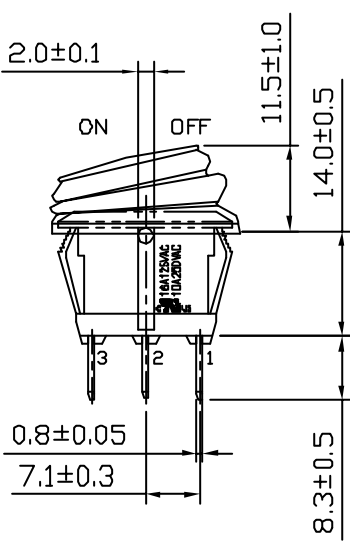
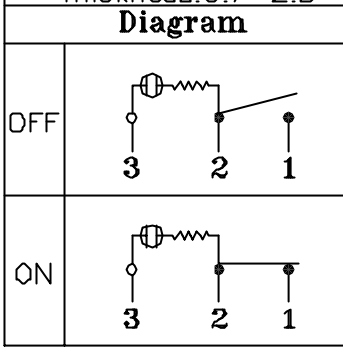
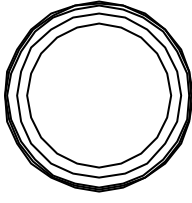



Rating	16A 125VAC, 10A 250VAC  US	Mounting Hole	
Contact Resistant	50m ohm Max.		
Insulation Resistant	DC 500V 100M ohm Min.		
Dielectric Strength	AC 1500V 1 minute		
Operation Temperature	-20°C~85°C		
Circuit	3P SPST ON-OFF (LED)		



*MATERIAL:
 Frame: Nylon 66, Black
 Actuator: PC, Yellow
 Waterproof: IP65
 Printed: White, hot stamping



C8\R13\R13-112B8W-02-BYNN(1823849)

									△
									△
Date	Name	Descriptions							NO
Drawing	Check	Approval	SCI No.	1823849	Model Name	ROCKER SWITCH			
曹盈芳	王佰山	李景煌	Customer No.		Model No.	R13-112B8W-02-BYNN-0A-N2			
03/07/'07	03/07/'07	03/07/'07	Unit	mm	 SHIN CHIN INDUSTRIAL CO., LTD.				