
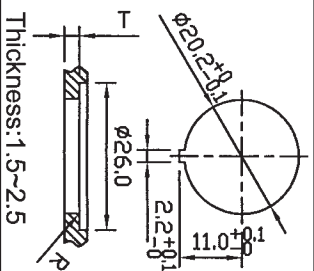
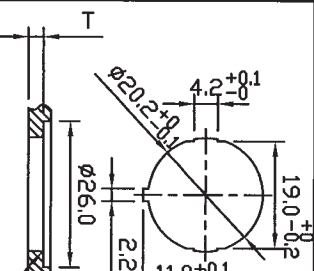
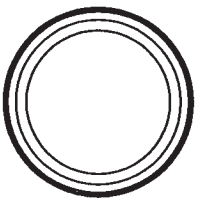
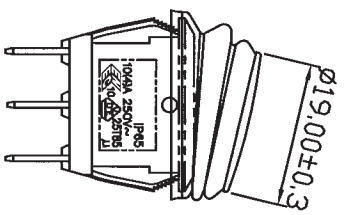
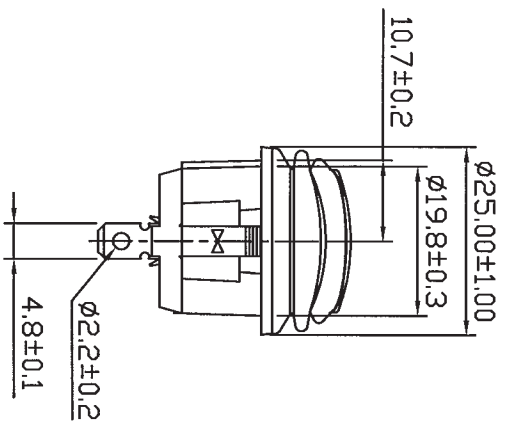
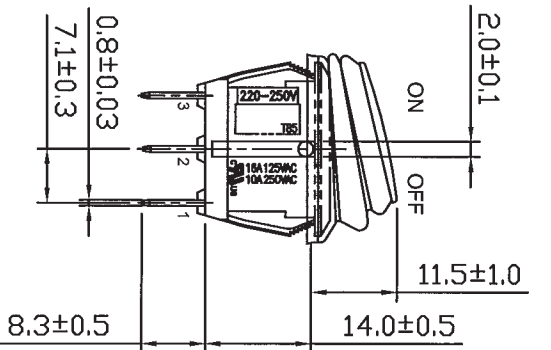
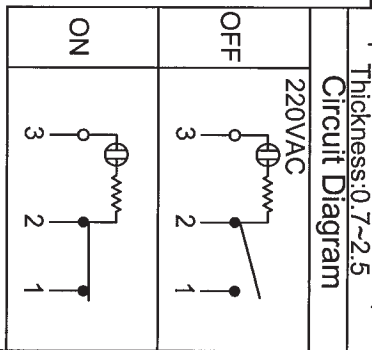


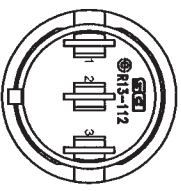
Rating	16A 125VAC, 10A 250VAC		Mounting Hole
Contact Resistance	10(4)A 250V~ 50m ohm Max.		
Insulation Resistance	DC 500V 100M ohm Min.		
Dielectric Strength	AC 1500V 1 minute		
Operation Temperature	-25°C~85°C		
Switch Function	3P SPST ON-OFF (Neon dependent)		



**\*MATERIAL:**  
 Frame: Nylon 66, Black  
 Actuator: PC, Green clear  
 Waterproof rubber: Silicone  
 Terminals: Silver plated, Copper alloy  
 Hot Stamping: None  
 Waterproof: IP65



C81R13/R13-112B8-02(1823705)\_1



09/17/'14	曹盈芳	依公司規定追加SCI Logo					
Date	Name	Description					
Drawn	Checked	Approved	SCI BOM NO	1823985	Model Name	ROCKER SWITCH	
曹盈芳		<i>FAB</i>	Customer No.		Model No.	R13-112B8-02	Rev.
09/17/'14		<i>P/17/14</i>	Unit	mm	Shin Chin Industrial Co., Ltd.		1