
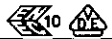
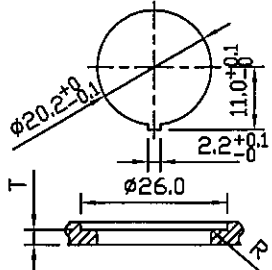
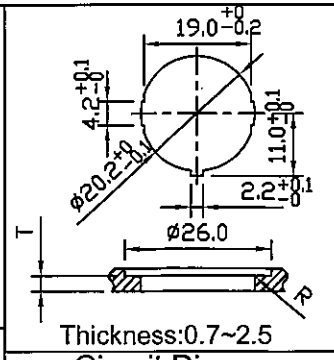
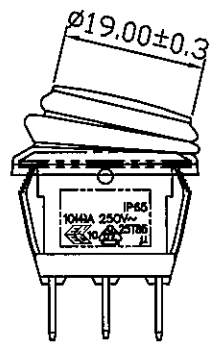
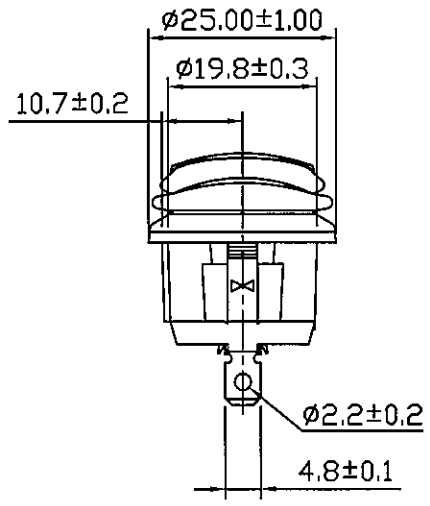
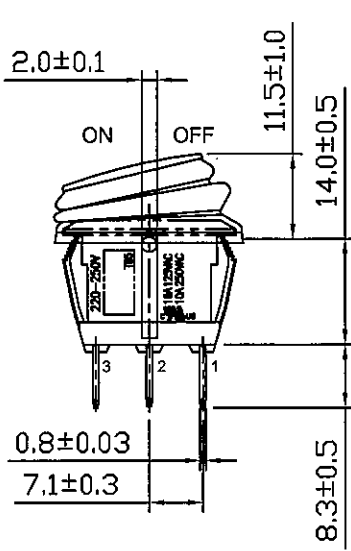
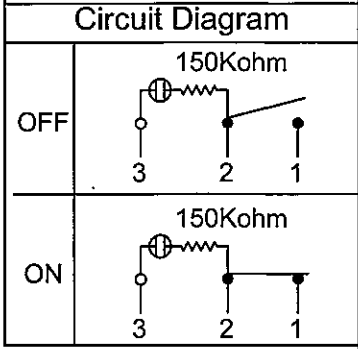
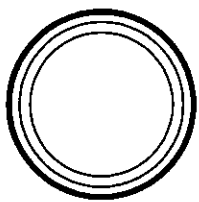


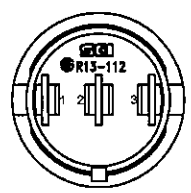
Rating	16A 125VAC, 10A 250VAC 	Mounting Hole
	10(4)A 250V~ 	
Contact Resistance	50m ohm Max.	 Thickness:1.5~2.5
Insulation Resistance	DC 500V 100M ohm Min.	
Dielectric Strength	AC 1500V 1 minute	
Operation Temperature	-25°C~85°C	
Switch Function	3P SPST ON-OFF(Illuminated)	



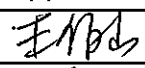
***MATERIAL:**
 Frame: Nylon 66, Black
 Actuator: PC, Blue Clear
 Waterproof rubber: Silicone
 Hot Stamping: None
 Waterproof: IP65



發行
2013.4.12
研發部



C81R13\13-112B8-02

Date	Name	Description				NO
Drawn	Checked	Approved	SCI BOM NO.	1825628	Model Name	ROCKER SWITCH
曹盈芳			Customer No.		Model No.	R13-112B8-02
04/09/13		4/10/13	Unit	mm	Shin Chin Industrial Co., Ltd.	
						Rev. 0