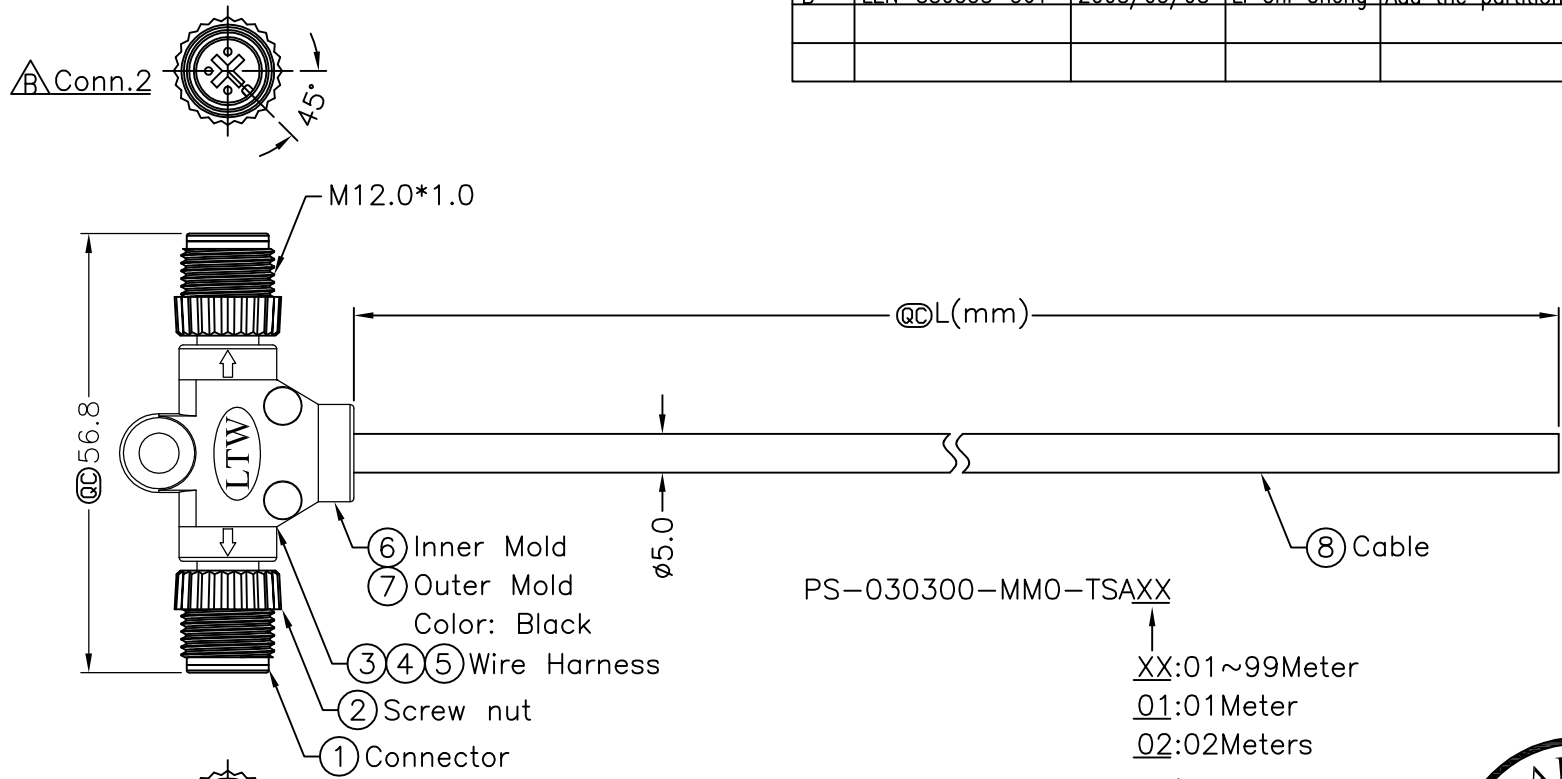
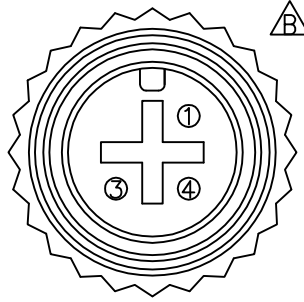
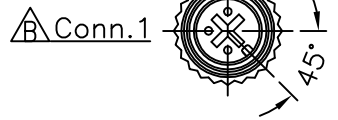
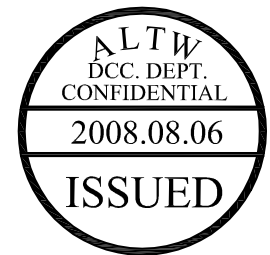
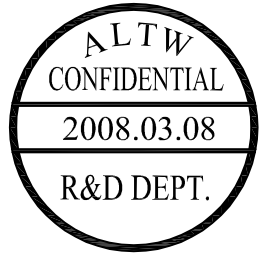


REV.	ECN NO.	DATE	SIGN	DESCRIPTION
B	LEN-880358~361	2008/03/08	Li Chi Cheng	Add the partition.



PS-030300-MM0-TSAXX
 ↑
 XX:01~99Meter
 01:01Meter
 02:02Meters
 :
 :
 99:99Meters
 Cable Length(L):01~99Meters



Conn.1&2
Pin Assignments
Front View

3	Black	黑	3
2	Blue	藍	2
1	Brown	棕	1
Conn.1	Wire Color		Conn.2
Pin Out			

- Note:
- * @C Important Dimension.
 - * Waterproof Rate: IP68
 - * Housing: Black, PU
 - * Male Pin: Copper Alloy, Gold Plated
 - * Wire Harness: UL1007, 24AWG, 3Pcs.
 - * Cable: Black, UL2464 22AWG*3C+Talc PVC Jacket (UV Resistant), OD=5.0mm
 - * Cable Length Tolerance: 1M~10M±5%mm, 11M~99±500mm.

UNIT:mm TOLERANCE ±0.5 mm	TITLE M12 Conn T Cable Screw MM Conn MM Pin		<h1>Amphenol LTW</h1> 安費諾亮泰企業股份有限公司	ITEM NO	DRAWN BY Li Chi Cheng	DATE 2008/03/08
	SCALE Free	SHEET 1 OF 1		DWG NO PS-030300-MM0-TSAXX	CHECKED BY Ling	DATE 2008/03/08
REV. B	SIZE A4	@C :Inspection Item		CUSTOMER ALTW	APPROVED BY Luke	DATE 2008/04/29

THIS DOCUMENT IS SUBJECT TO CHANGE WITHOUT NOTICE. IT IS CONFIDENTIAL AND A PROPERTY OF Amphenol LTW. DISCLOSURE TO THIRD PARTY HAS TO BE AUTHORIZED BY Amphenol LTW.