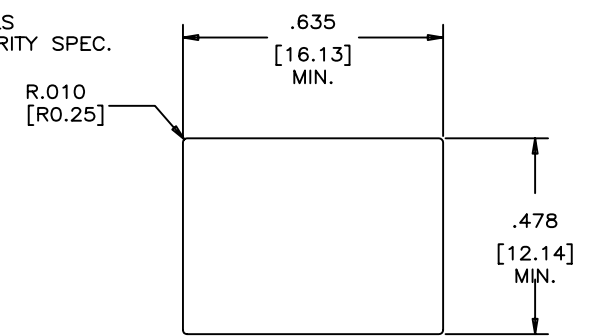
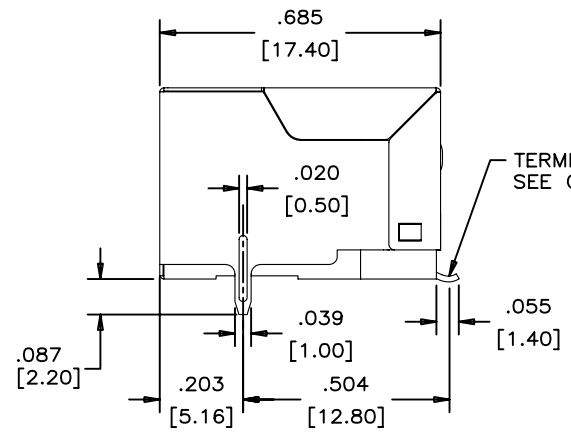
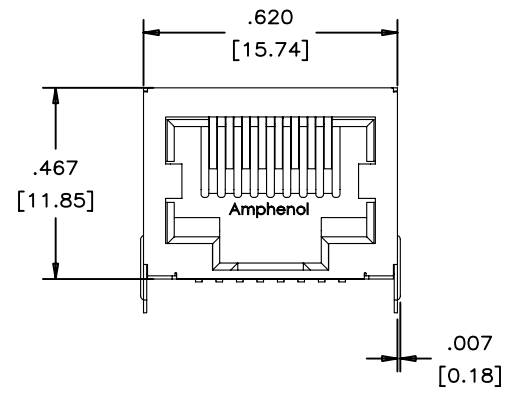
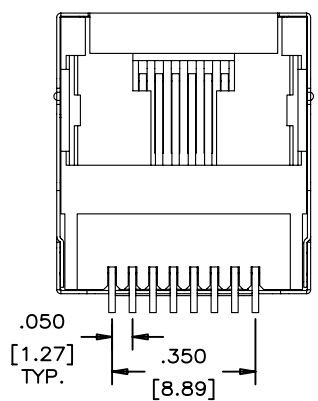


REVISIONS				
SYM	ZONE	DESCRIPTION	DATE	APPRD.
C		PROPOSAL	NOV.22/06	L.CHAN



RECOMMENDED PANEL CUTOUT



NOTES:

1. MATERIALS:

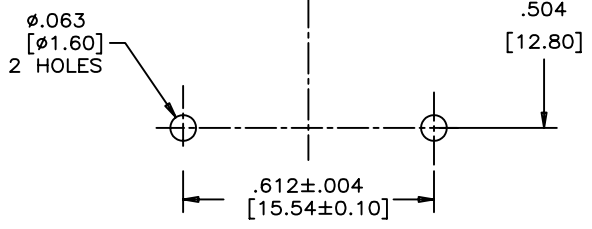
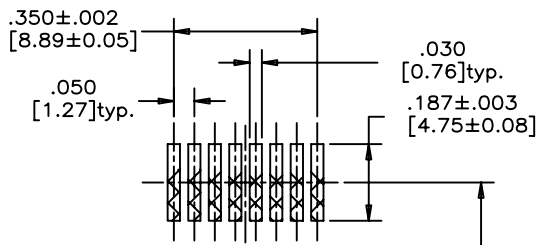
- HOUSING: HIGH TEMPERATURE THERMOPLASTIC.
FLAMMABILITY RATING UL 94V-0
COLOUR: BLACK
- CONTACTS: PHOSPHOR BRONZE
PLATING: GOLD PLATING (REFER TO PART NUMBER FOR THICKNESS)
ON MATING SURFACES.
50 μ" [1.27 MICRONS] MIN. NICKEL UNDERPLATE.
100 μ" [2.54 MICRONS] MIN. MATTE TIN ON CONTACT TAILS.
- SHIELD: COPPER ALLOY, NICKEL PLATED

2. COPLANARITY SPECIFICATION:

THE MAXIMUM GAP BETWEEN ALL TERMINAL TAILS IS .004 [0.10].

3. RECOMMENDED SOLDERING TEMPERATURE:

WAVE OR REFOLW SOLDERING AT 260°C MAXIMUM FOR 5 SEC MAXIMUM.



RECOMMENDED P.C.B. LAYOUT
(COMPONENT SIDE OF BOARD)

AMPHENOL PART NO.: RJLSE-4X181-01

- GOLD PLATING
- 0 - GOLD FLASH
 - 1 - 15 MICRO" GOLD
 - 2 - 30 MICRO" GOLD
 - 3 - 50 MICRO" GOLD

DRAWN	Chigow	DATE	SEP15,06
DESIGNED			
CHECKED	LCHAN	DATE	SEP15,06
I. E. APPRD.			
Q. A. APPRD.			
DWG. APPRD.			
ENG. REL. NO.			
REF.			
DIMENSIONS ARE IN		CODE ID. NO.	
INCHES [mm]		03554	

Amphenol Canada Corp.			
TITLE SURFACE MOUNT MODULAR JACK			
8 POSITION, 8 CONTACTS, WITH SHIELDED, TRAY PACKAGE- RoHS COMPLIANT			
DWG	DRAWING NO.	REV.	
	P-RJLSE-4X181-01	C	
SCALE	WT.	SURF.	SHEET 1 OF 1

THIS DOCUMENT CONTAINS PROPRIETARY INFORMATION AND SUCH INFORMATION MAY NOT BE DISCLOSED TO OTHERS FOR ANY PURPOSE OR USED FOR MANUFACTURING PURPOSES WITHOUT WRITTEN PERMISSION FROM AMPHENOL CANADA CORP.