

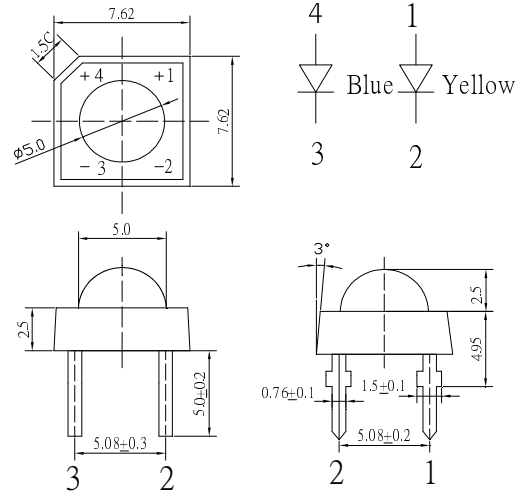
■Features

- Super Flux Output
- 5 φ Standard Directivity
- Superior Weather-resistance
- UV Resistant Epoxy
- Water Clear Type

■Applications

- Toys
- Games
- Audio
- Backing Lighting

■Outline Dimension

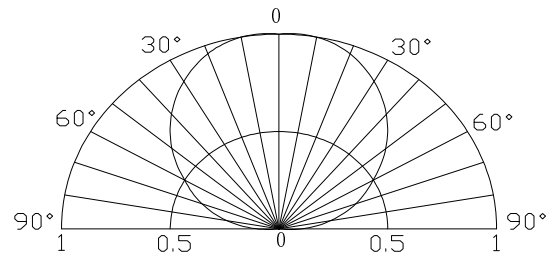


Unit:mm
Tolerance:±0.3mm

■Absolute Maximum Rating (Ta=25°C)

| Item | Symbol | Value | | Unit |
|----------------------------|-----------------|------------|------|------|
| | | Yellow | Blue | |
| DC Forward Current | I _F | 50 | 30 | mA |
| Pulse Forward Current* | I _{FP} | 120 | 100 | mA |
| Reverse Voltage | V _R | 5 | 5 | V |
| Power Dissipation | P _D | 130 | 108 | mW |
| Operating Temperature | Topr | -30 ~ +85 | | °C |
| Storage Temperature | Tstg | -40 ~ +100 | | °C |
| Lead Soldering Temperature | Tsol | 260°C/5sec | | - |

■Directivity



*Pulse width Max.10ms Duty ratio max 1/10

■Electrical -Optical Characteristics (Ta=25°C)

| Item | Symbol | Condition | Min. | Typ. | Max. | Unit |
|---------------------|-----------------------|----------------------|------|------|------|------|
| DC Forward Voltage | V _F (Y) | I _F =20mA | 1.8 | 2.1 | 2.6 | V |
| | V _F (B) | I _F =20mA | 2.9 | 3.1 | 3.6 | V |
| DC Reverse Current | I _R | V _R =5V | - | - | 10 | μA |
| Domi. Wavelength* | λ _D (Y) | I _F =20mA | 585 | 590 | 595 | nm |
| | λ _D (Blue) | I _F =20mA | 465 | 470 | 475 | nm |
| Luminous Intensity* | I _v (Y) | I _F =20mA | 1560 | 2300 | - | mcd |
| | I _v (Blue) | I _F =20mA | 750 | 1200 | - | mcd |
| 50% Power Angle | 2θ _{1/2} | I _F =20mA | - | 120 | - | deg |

*1 Tolerance of dominant wavelength is ±1nm

*2 Tolerance of luminous intensity is ±15%