

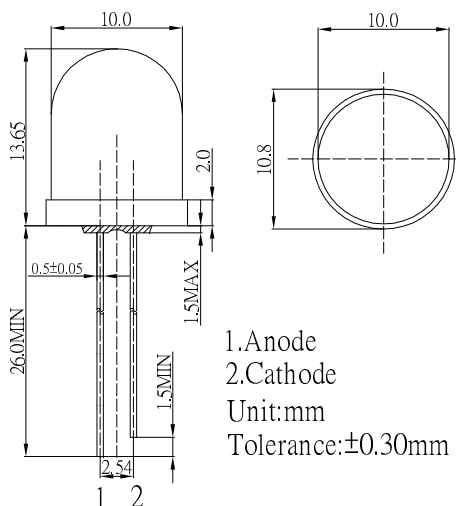
### ■Features

- High Luminous LEDs
- 10mm Round Standard Directivity
- Superior Weather-resistance
- UV Resistant Epoxy
- Water Clear Type

### ■Applications

- Traffic signal, Portable light source
- Signage and channel letter
- Decorating and entertainment lighting
- Architectural lighting
- Outdoor/Indoor applications/Other Lighting

### ■Outline Dimension

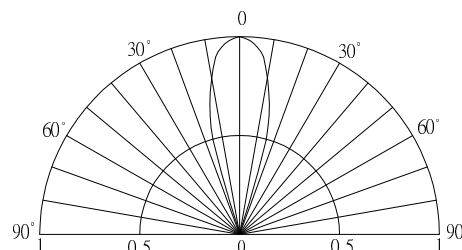


### ■Absolute Maximum Rating

(Ta=25°C)

| Item                       | Symbol    | Value      | Unit |
|----------------------------|-----------|------------|------|
| DC Forward Current         | $I_F$     | 50         | mA   |
| Pulse Forward Current*     | $I_{FP}$  | 120        | mA   |
| Reverse Voltage            | $V_R$     | 5          | V    |
| Power Dissipation          | $P_D$     | 130        | mW   |
| Operating Temperature      | $T_{opr}$ | -40~ +85   | °C   |
| Storage Temperature        | $T_{stg}$ | -40 ~ +100 | °C   |
| Lead Soldering Temperature | $T_{sol}$ | 260°C/5sec | -    |

### ■Directivity



\*Pulse width Max.10ms , Duty ratio max 1/10

### ■Electrical -Optical Characteristics

(Ta=25°C)

| Item                | Symbol          | Condition  | Min.  | Typ.  | Max. | Unit    |
|---------------------|-----------------|------------|-------|-------|------|---------|
| DC Forward Voltage  | $V_F$           | $I_F=20mA$ | 1.8   | 2.1   | 2.6  | V       |
| DC Reverse Current  | $I_R$           | $V_R=5V$   | -     | -     | 10   | $\mu A$ |
| Domi. Wavelength*   | $\lambda_D$     | $I_F=20mA$ | 585   | 590   | 595  | nm      |
| Luminous Intensity* | $I_v$           | $I_F=20mA$ | 10000 | 12000 | -    | mcd     |
| 50% Power Angle     | $2\theta_{1/2}$ | $I_F=20mA$ | -     | 30    | -    | deg     |

\*1 Tolerance of dominant wavelength is  $\pm 1nm$

\*2 Tolerance of luminous intensity is  $\pm 15\%$

### ■Maximum Forward Current

