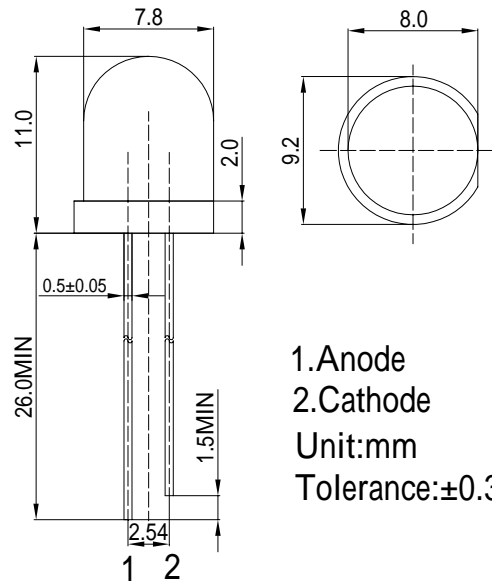


**■Features**

- High Luminous LEDs
- 8mm Round Standard Directivity
- Long Lifetime Operation
- Superior Weather-resistance
- UV Resistant Epoxy
- Water Clear Type

**■Applications**

- Counterfeit Detection
- NDT Crack Detection
- Fluid Leak Detection
- Forensic Science/Infection Control
- Other Lighting

**■Outline Dimension**


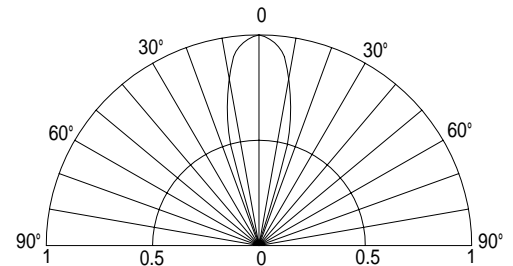
1. Anode  
2. Cathode  
Unit:mm  
Tolerance:±0.30mm

**■Absolute Maximum Rating**

(Ta=25 )

Item	Symbol	Value	Unit
DC Forward Current	I <sub>F</sub>	30	mA
Pulse Forward Current*	I <sub>FP</sub>	100	mA
Reverse Voltage	V <sub>R</sub>	5	V
Power Dissipation	P <sub>D</sub>	108	mW
Operating Temperature	T <sub>opr</sub>	-30 ~ +85	
Storage Temperature	T <sub>stg</sub>	-40 ~ +100	
Lead Soldering Temperature	T <sub>sol</sub>	260 /5sec	-

\*Pulse width Max.10ms Duty ratio max 1/10

**■Directivity**

**■Electrical -Optical Characteristics**

(Ta=25 )

Item	Symbol	Condition	Min.	Typ.	Max.	Unit
DC Forward Voltage	V <sub>F</sub>	I <sub>F</sub> =20mA	2.9	3.1	3.6	V
DC Reverse Current	I <sub>R</sub>	V <sub>R</sub> =5V	-	-	10	μA
Peak Wavelength*	λ <sub>p</sub>	I <sub>F</sub> =20mA	400	405	410	nm
Radiant flux*	e	I <sub>F</sub> =20mA	2.0	5.0	6.0	mW
Luminous Intensity*	I <sub>v</sub>	I <sub>F</sub> =20mA	300	400	-	mcd
50% Power Angle	2θ <sub>1/2</sub>	I <sub>F</sub> =20mA	-	30	-	deg

\*1 Tolerance of Peak wavelength is ±1nm

\*2 Tolerance of luminous intensity is ±15%