

■Features

- High Power Chip LEDs
- 3.5x2.8x1.9mm Standard Directivity
- Superior Weather-resistance
- UV Resistant Epoxy
- Water Clear Type

■Applications

- General Purpose Indicators
- Small Area Illuminations
- Back Lighting

■Absolute Maximum Rating

(Ta=25 )

Item	Symbol	Value	Unit
DC Forward Current	I <sub>F</sub>	20	mA
Pulse Forward Current*	I <sub>FP</sub>	70	mA
Reverse Voltage	V <sub>R</sub>	5	V
Power Dissipation	P <sub>D</sub>	110	mW
Operating Temperature	Topr	-30 ~ +80	
Storage Temperature	Tstg	-30 ~ +100	
Lead Soldering Temperature	Tsol	260 /3sec	-

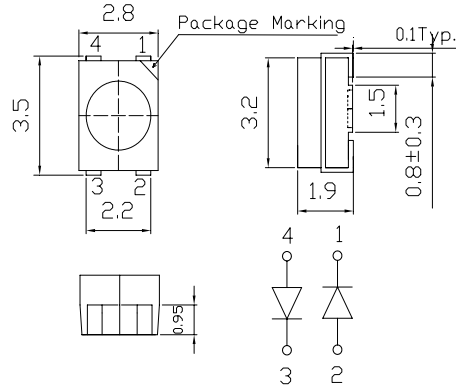
\*Pulse width Max.10ms Duty ratio max 1/10

■Electrical -Optical Characteristics

(Ta=25 )

Item	Symbol	Condition	Min.	Typ.	Max.	Unit
DC Forward Voltage	V <sub>F</sub> (R)	I <sub>F</sub> =20mA	1.8	2.0	2.4	V
	V <sub>F</sub> (G)	I <sub>F</sub> =20mA	1.8	2.0	2.4	V
DC Reverse Current	I <sub>R</sub>	V <sub>R</sub> =5V	-	-	10	μA
Domi. Wavelength	λ <sub>D</sub> (Red)	I <sub>F</sub> =20mA	620	625	630	nm
Luminous Intensity	λ <sub>D</sub> (Green)	I <sub>F</sub> =20mA	565	570	575	nm
	I <sub>v</sub> (Red)	I <sub>F</sub> =20mA	150	200	250	mcd
	I <sub>v</sub> (Green)	I <sub>F</sub> =20mA	100	150	220	mcd

■Outline Dimension



■Directivity

