

CURRENT REGULATIVE LED

CRLED

- CRLED is LED which supplies constant current to keep LED Intensity Consistency even when power supply voltage fluctuations or load impedance fluctuations occur.
- CRLED is used with current stabilization and current limiting

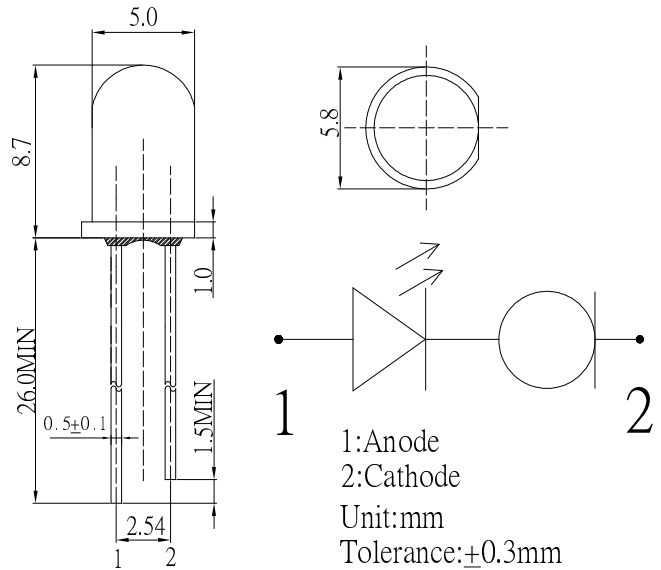
■ Features

- High Luminous LEDs
- 5mm Round Standard Directivity
- Superior Weather-resistance
- UV Resistant Epoxy
- Water Clear Type

■ Applications

- Electronic Signs And Signals/ Small Area Illuminations
- Back Lighting/ Toys/ Other Lighting

■ Outline Dimension

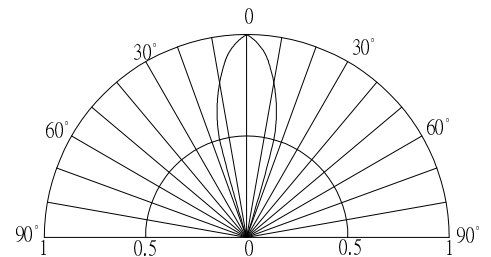


■ Absolute Maximum Rating

($T_a=25^\circ\text{C}$)

Item	Symbol	Value	Unit
DC Forward Voltage	V_F	20	V
Power Dissipation	P_D	350	mW
Operating Temperature	T_{opr}	-30 ~ +85	$^\circ\text{C}$
Storage Temperature	T_{stg}	-40 ~ +100	$^\circ\text{C}$
Lead Soldering Temperature	T_{sol}	260 $^\circ\text{C}/5\text{sec}$	-

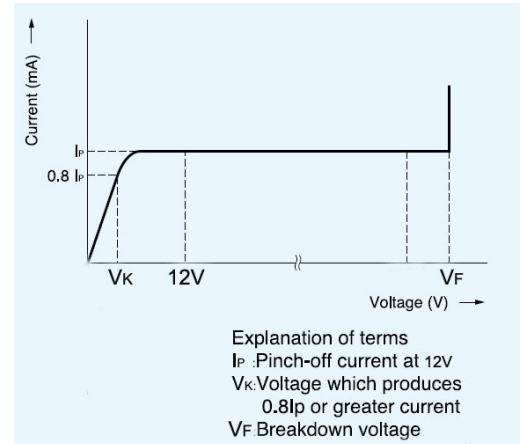
■ Directivity



■ Electrical -Optical Characteristics

($T_a=25^\circ\text{C}$)

Item	Symbol	Condition	Min.	Typ.	Max.	Unit
Control Voltage	V_F	-	5.5	-	20	
DC Forward Current	I_F	$V_F=12\text{V}$	-	16	-	mA
DC Reverse Current	I_R	$V_R=8\text{V}$	-	-	10	μA
Chromaticity Coordinates*	x	$V_F=12\text{V}$	-	0.45	-	
	y	$V_F=12\text{V}$	-	0.41	-	
Luminous Intensity*	I_v	$V_F=12\text{V}$	-	7000	-	mcd
50% Power Angle	$2\theta_{1/2}$	$V_F=12\text{V}$	-	30	-	deg



*1 Tolerance of dominant wavelength is $\pm 1\text{nm}$

*2 Tolerance of luminous intensity is $\pm 15\%$