

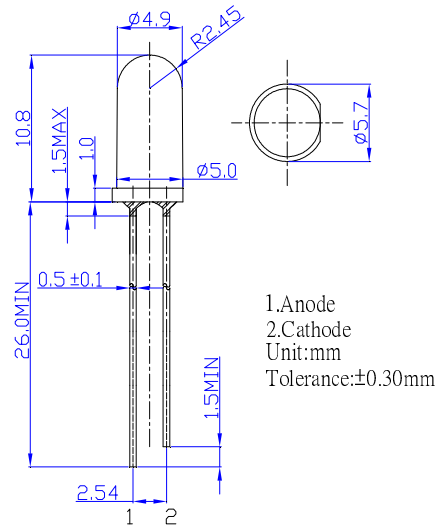
■ **Features**

- High Luminous LEDs
- 5mm Round Standard Directivity
- Superior Weather-resistance
- UV Resistant Epoxy
- Water Clear Type

■ **Applications**

- Electronic Signs And Signals
- Small Area Illuminations
- Back Lighting
- Other Lighting

■ **Outline Dimension**

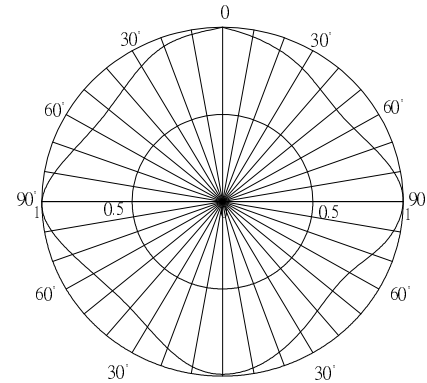


■ **Absolute Maximum Rating**

(Ta=25°C)

Item	Symbol	Value	Unit
DC Forward Current	I _F	20	mA
Pulse Forward Current*	I _{FP}	60	mA
Reverse Voltage	V _R	15	V
Power Dissipation	P _D	260	mW
Operating Temperature	Topr	-30 ~ +85	°C
Storage Temperature	Tstg	-40 ~ +100	°C
Lead Soldering Temperature	Tsol	260°C/5sec	-

■ **Directivity**



*Pulse width Max.10ms Duty ratio max 1/10

■ **Electrical -Optical Characteristics**

(Ta=25°C)

Item	Symbol	Condition	Min.	Typ.	Max.	Unit
DC Forward Voltage	V _F	I _F =20mA	10	11	13	V
DC Reverse Current	I _R	V _R =5V	-	-	10	μA
Luminous Flux	Φ _v	I _F =20mA	35	38	-	lm
Color Temperature	CCT	I _F =20mA	2900	3300	4100	K
Chromaticity Coordinates*	x	I _F =20mA	-	0.41	-	-
	y	I _F =20mA	-	0.38	-	-
50% Power Angle	2θ _{1/2}	I _F =20mA	-	360	-	deg

*1 Luminous Flux Measurement allowance is ±15%

*2 Chromaticity Coordinates Measurement allowance is ±10