

## CURRENT REGULATIVE LED

# CRLED

- CRLED is LED which supplies constant current to keep LED Intensity Consistency even when power supply voltage fluctuations or load impedance fluctuations occur.
- CRLED is used with current stabilization and current limiting

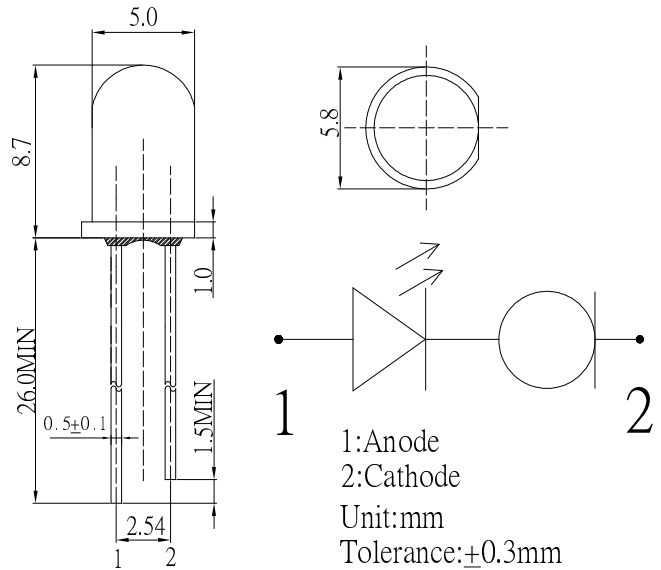
### ■ Features

- High Luminous LEDs
- 5mm Round Standard Directivity
- Superior Weather-resistance
- UV Resistant Epoxy
- Water Clear Type

### ■ Applications

- Electronic Signs And Signals/ Small Area Illuminations
- Back Lighting/ Toys/ Other Lighting

## ■ Outline Dimension

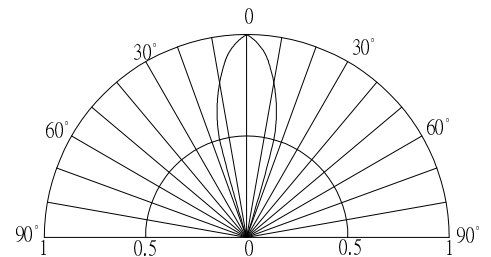


### ■ Absolute Maximum Rating

( $T_a=25^\circ\text{C}$ )

Item	Symbol	Value	Unit
DC Forward Voltage	$V_F$	20	V
Power Dissipation	$P_D$	350	mW
Operating Temperature	$T_{opr}$	-30 ~ +85	$^\circ\text{C}$
Storage Temperature	$T_{stg}$	-40 ~ +100	$^\circ\text{C}$
Lead Soldering Temperature	$T_{sol}$	260 $^\circ\text{C}$ /5sec	-

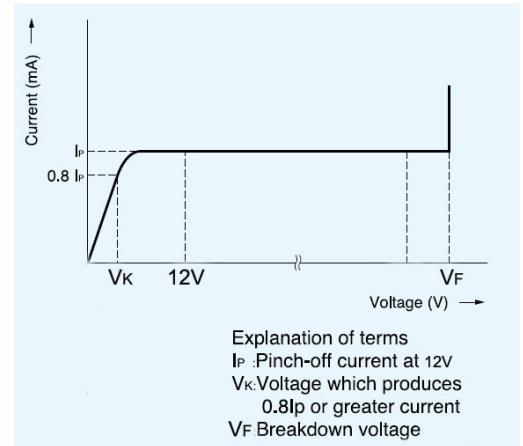
### ■ Directivity



### ■ Electrical -Optical Characteristics

( $T_a=25^\circ\text{C}$ )

Item	Symbol	Condition	Min.	Typ.	Max.	Unit
Control Voltage	$V_F$	-	5.5	-	20	
DC Forward Current	$I_F$	$V_F=12\text{V}$	-	16	-	mA
DC Reverse Current	$I_R$	$V_R=8\text{V}$	-	-	10	$\mu\text{A}$
Domi. Wavelength*	$\lambda_D$	$V_F=12\text{V}$	520	525	530	nm
Luminous Intensity*	$I_v$	$V_F=12\text{V}$	-	10000	-	mcd
50% Power Angle	$2\theta_{1/2}$	$V_F=12\text{V}$	-	30	-	deg



\*1 Tolerance of dominant wavelength is  $\pm 1$ nm

\*2 Tolerance of luminous intensity is  $\pm 15\%$