

CURRENT REGULATIVE LED

CRLED

- CRLED is LED which supplies constant current to keep LED Intensity Consistency even when power supply voltage fluctuations or load impedance fluctuations occur.
- CRLED is used with current stabilization and current limiting

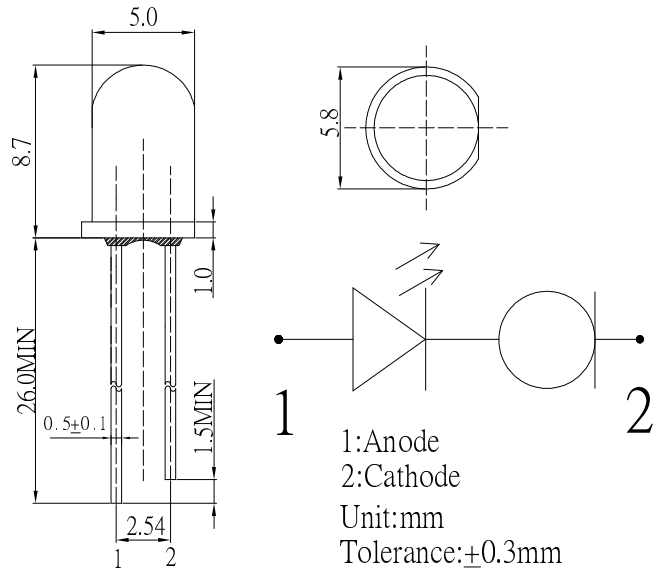
■ Features

- High Luminous LEDs
- 5mm Round Standard Directivity
- Superior Weather-resistance
- UV Resistant Epoxy
- Water Clear Type

■ Applications

- Electronic Signs And Signals/ Small Area Illuminations
- Back Lighting/ Toys/ Other Lighting

■ Outline Dimension

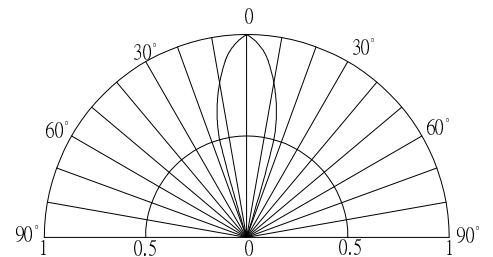


■ Absolute Maximum Rating

(Ta=25°C)

Item	Symbol	Value	Unit
DC Forward Voltage	V _F	20	V
Power Dissipation	P _D	350	mW
Operating Temperature	Topr	-30 ~ +85	°C
Storage Temperature	Tstg	-40 ~ +100	°C
Lead Soldering Temperature	Tsol	260°C/5sec	-

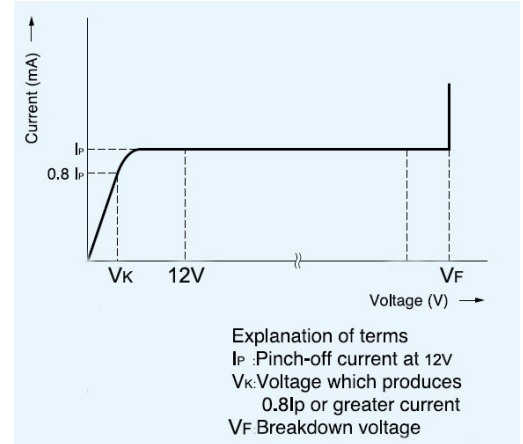
■ Directivity



■ Electrical -Optical Characteristics

(Ta=25°C)

Item	Symbol	Condition	Min.	Typ.	Max.	Unit
Control Voltage	V _F	-	5.5	-	20	
DC Forward Current	I _F	V _F =12V	-	16	-	mA
DC Reverse Current	I _R	V _R =8V	-	-	10	μA
Domi. Wavelength*	λ _D	V _F =12V	465	470	475	nm
Luminous Intensity*	I _v	V _F =12V	-	5800	-	mcd
50% Power Angle	2θ _{1/2}	V _F =12V	-	30	-	deg



*1 Tolerance of dominant wavelength is ±1nm
*2 Tolerance of luminous intensity is ±15%