



Model Number

NBB20-U1-Z2

Features

- **Sensor head bidirectional and rotatable**
- **20 mm flush**
- **2-wire DC**
- **2 LEDs indicator for 360° visibility**

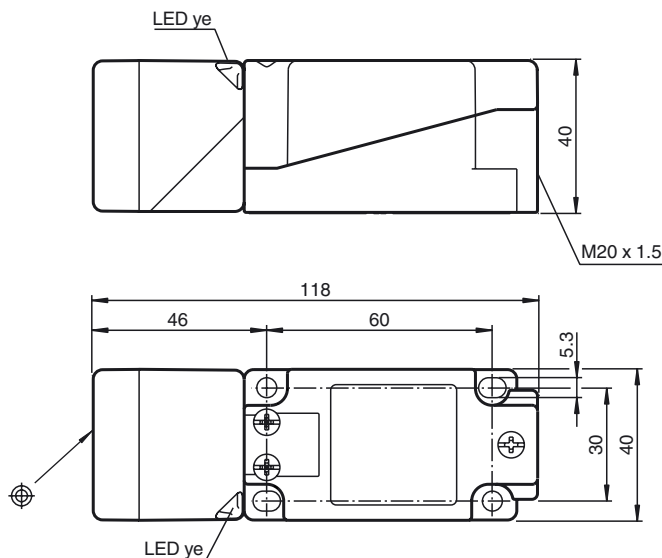
Accessories

- V1-M20-80**
Receptacles, M12/M20; plastic version
- MHW 01**
Modular mounting bracket
- MH 04-2681F**
Mounting aid for VariKont, +U1+ and +U9*

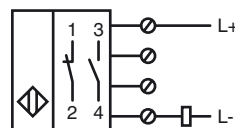
Technical Data

General specifications			
Switching element function		DC	NO/NC
Rated operating distance	s_n	20 mm	
Installation		flush	
Output polarity		DC	
Assured operating distance	s_a	0 ... 16.2 mm	
Reduction factor r_{AI}		0.3	
Reduction factor r_{Cu}		0.3	
Reduction factor r_{304}		0.7	
Nominal ratings			
Operating voltage	U_B	5 ... 60 V DC	
Switching frequency	f	0 ... 250 Hz	
Hysteresis	H	typ. 5 %	
Reverse polarity protection		reverse polarity tolerant	
Short-circuit protection		yes	
Voltage drop	U_d	≤ 5 V	
Operating current	I_L	2 ... 200 mA	
Off-state current	I_r	0 ... 0.5 mA	
Switching state indication		2 LED, yellow	
Functional safety related parameters			
MTTF _d		1162 a	
Mission Time (T _M)		20 a	
Diagnostic Coverage (DC)		0 %	
Ambient conditions			
Ambient temperature		-25 ... 85 °C (-13 ... 185 °F)	
Mechanical specifications			
Connection type		screw terminals	
Core cross-section		≤ 2.5 mm ²	
Housing material		PA/metal with epoxy powder coating	
Sensing face		PA	
Housing base		plastic	
Protection degree		IP68 / IP69K	
Mass		225 g	
Note		Tightening torque: 1.8 Nm (housing) Tightening torque: 1.0 Nm (Screw terminal)	
Compliance with standards and directives			
Standard conformity			
Standards		EN 60947-5-2:2007 IEC 60947-5-2:2007	
Approvals and certificates			
UL approval		cULus Listed, General Purpose	
CSA approval		cCSAus Listed, General Purpose	
CCC approval		Certified by China Compulsory Certification (CCC)	

Dimensions



Electrical Connection



Release date: 2013-07-10 11:47 Date of issue: 2013-07-10 203044_eng.xml