

REV.	DESCRIPTION	DRAWN	CHECKED	APPROVED
A	NEW RELEASE	LJC 03/15/07'	~	LJC 03/15/07'
B	增加料号	LJC 10/25/11'	~	

备注/Notes:

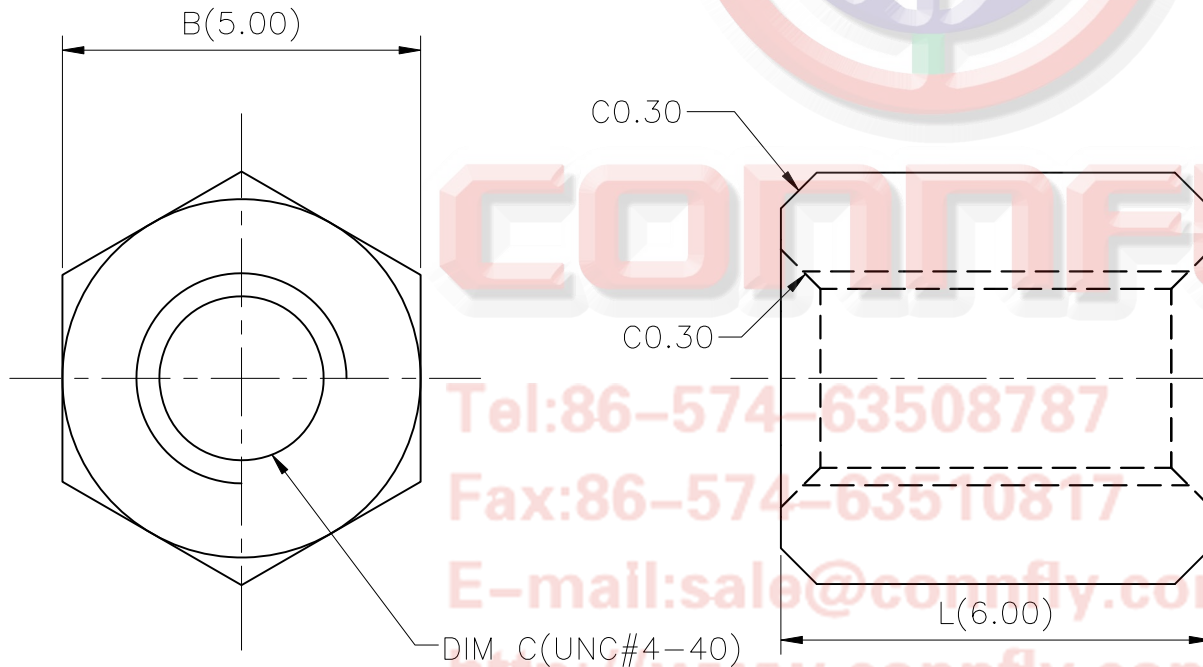
- 1.材料/Material: 铜材/Copper alloy.
- 2.电镀/Plating: 镍/Nickel.
- 3.料号说明/Part Number Code:

N - LXXXX - XXXX - XX

螺牙规格/Screw type (DIM C)  
04 : #4-40

螺母总长 (DIM L Length):  
0600:6.00mm

六角面宽度 (DIM B)  
0500:5.00mm



Tel:86-574-63508787

Fax:86-574-63510817

E-mail:sales@connfly.com

http://www.connfly.com

Add:East Industry Zone KuangYan

Town Cixi Ningbo China

P.C:315333

GENERAL TOLERANCE		ANGLE TOLERANCE	
X.	±0.60	X.	±5°
.X	±0.38	.X	±3°
.XX	±0.25	.XX	±2°
DRAWING TYPE		CUSTOMER	
SCALE		1:1	SHEET 1 OF 1
DRAWING NO.		N-LXXXX-XXXX-XX-B	

PROJECTION	TITLE
UNITS	NUT
SHEET SIZE	SERIES NUT SERIES



晨翔电子有限公司

CONNFLY CONNFLY ELECTRONIC CO. LTD