



Czujniki magnetyczne do siłowników Sensors for T-slot cylinders

MZT8-03VPS-KP0



Nazwa modelu > [MZT8-03VPS-KP0](#)

Numer cz ci > [1044458](#)



At a glance

- Magnetic piston detection for all conventional pneumatic cylinders with T-slots
- Short sensor housing length - only 24 mm
- Sensor element at the tip of the housing
- Proprietary GMR-ASIC technology ensures precise switching and low hysteresis
- Enclosure rating: IP 68 / IP 69K (PUR) respectively IP 67 / IP 69K (PVC)
- Captive screw
- LED function indicator
- For all commonly used cylinders with T-slots, e.g., Festo or SMC and it can be applied to multiple cylinders types such as round, tie-rod, integrated profile or dove-tail cylinders with mounting brackets

Your benefits

- Shortest sensor on the market, making it ideal for short stroke cylinders
- Sensor element at the tip of the sensor - piston detection possible without stroke loss
- Captive installation screw enables reliable and optimized installation
- Time saving "single-handed mounting" with 1/4 turn
- Flexible installation via Allen wrench or flathead screwdriver
- Extremely rugged housing - rated for IP67 respectively IP 68 and IP 69K, enlarging sensor life time



Cechy

Wyjście przełączające:	PNP
Output function:	NO
Electrical wiring:	DC 3-wire
Enclosure rating:	IP 68
Sensing face:	Front
Cylinder types with adapter:	Profile cylinder Roundbody cylinder Dove-tail groove cylinder SMC rail cylinder CDQ2 (T-Slot) SMC rail cylinder ECDQ2 (T-Slot) Tie rod cylinder
Długość obudowy:	24 mm
Switching frequency typ.:	1.000 Hz
Cylinder type:	T-slot

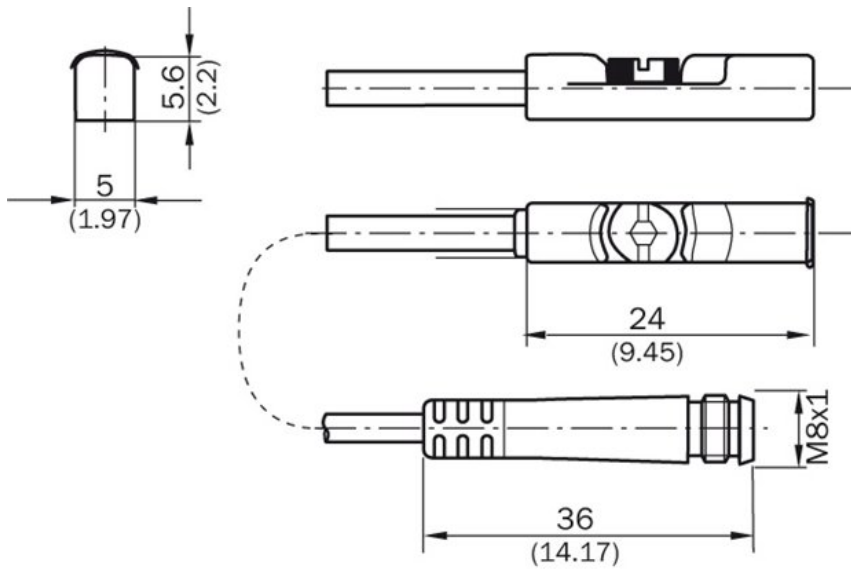
1) According to EN40050

Mechanika/elektronika

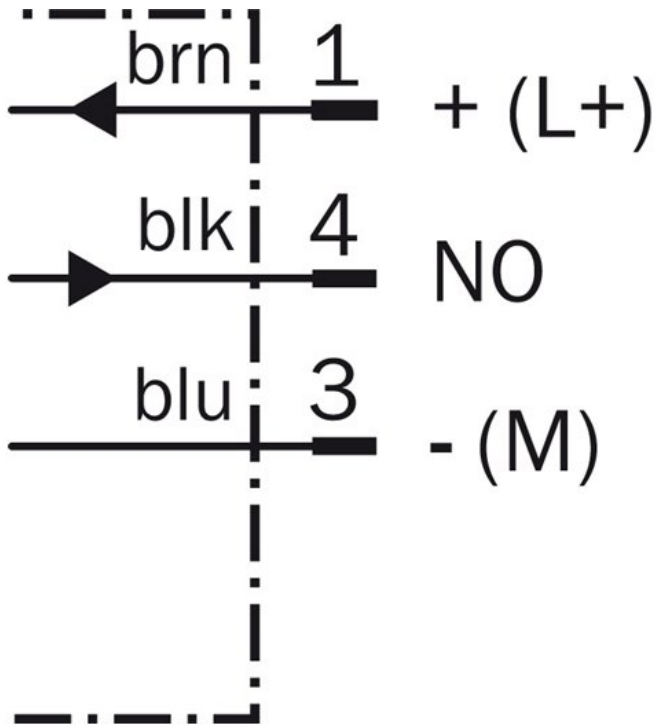
Sposób przyłączenia:	Cable with connector M8, 3-pin, 0,3 m
Napięcie zasilania:	10 V DC ... 30 V DC
Current consumption:	$\leq 10 \text{ mA}$ ¹⁾
Spadek napięcia:	$\leq 2,2 \text{ V}$
Output current I _a :	$\leq 200 \text{ mA}$
Histereza:	$> 0,5 \text{ mT}$
Odtwarzalność::	$\leq 0,1 \text{ mT}$ ²⁾
Kompatybilność elektromagnetyczna::	Zgodna z EN 60947-5-2
Cable material:	PUR
Zabezpieczenie przed zmianą biegunowości:	✓
Zabezpieczenie przed zwarciami:	✓
Tworzywo, obudowa:	Tworzywo sztuczne
Tworzywo, obudowa:	PA12
Tworzywo, obudowa:	Tworzywo sztuczne
Ambient operating temperature:	-30 °C ... 80 °C
Power-up pulse protection:	✓
Wymiar gwintu:	M8
Magnetic field sensitivity, min.:	2,6 mT
Typowa odległość przekroczenia:	3 mm
Shock/vibration:	30 g, 11 ms/10 ... 55 Hz, 1 mm

1) Bez obciążenia 2) U_b and T_a constant

Dimensional drawing



Connection diagram



Connection type



Australia

Phone +61 3 9457 0600
1800 334 802 – tollfree
E-Mail sales@sick.com.au

Belgium/Luxembourg

Phone +32 (0)2 466 55 66
E-Mail info@sick.be

Brasil

Phone +55 11 3215-4900
E-Mail sac@sick.com.br

Canada

Phone +1 905 771 14 44
E-Mail information@sick.com

Ceská Republika

Phone +420 2 57 91 18 50
E-Mail sick@sick.cz

China

Phone +86 4000 121 000
E-Mail info.china@sick.net.cn
Phone +852-2153 6300
E-Mail ghk@sick.com.hk

Danmark

Phone +45 45 82 64 00
E-Mail sick@sick.dk

Deutschland

Phone +49 211 5301-301
E-Mail kundenservice@sick.de

España

Phone +34 93 480 31 00
E-Mail info@sick.es

France

Phone +33 1 64 62 35 00
E-Mail info@sick.fr

Great Britain

Phone +44 (0)1727 831121
E-Mail info@sick.co.uk

India

Phone +91-22-4033 8333
E-Mail info@sick-india.com

Israel

Phone +972-4-6801000
E-Mail info@sick-sensors.com

Italia

Phone +39 02 27 43 41
E-Mail info@sick.it

Japan

Phone +81 (0)3 3358 1341
E-Mail support@sick.jp

Magyarország

Phone +36 1 371 2680
E-Mail office@sick.hu

Nederlands

Phone +31 (0)30 229 25 44
E-Mail info@sick.nl

Norge

Phone +47 67 81 50 00
E-Mail austefjord@sick.no

Österreich

Phone +43 (0)22 36 62 28 8-0
E-Mail office@sick.at

Polska

Phone +48 22 837 40 50
E-Mail info@sick.pl

România

Phone +40 356 171 120
E-Mail office@sick.ro

Russia

Phone +7-495-775-05-30
E-Mail info@sick.ru

Schweiz

Phone +41 41 619 29 39
E-Mail contact@sick.ch

Singapore

Phone +65 6744 3732
E-Mail admin@sicksgp.com.sg

Slovenija

Phone +386 (0)1-47 69 990
E-Mail office@sick.si

South Africa

Phone +27 11 472 3733
E-Mail info@sickautomation.co.za

South Korea

Phone +82 2 786 6321/4
E-Mail info@sickkorea.net

Suomi

Phone +358-9-25 15 800
E-Mail sick@sick.fi

Sverige

Phone +46 10 110 10 00
E-Mail info@sick.se

Taiwan

Phone +886-2-2375-6288
E-Mail sales@sick.com.tw

Türkiye

Phone +90 (216) 528 50 00
E-Mail info@sick.com.tr

United Arab Emirates

Phone +971 (0) 4 8865 878
E-Mail info@sick.ae

USA/México

Phone +1(952) 941-6780
1 800-325-7425 – tollfree
E-Mail info@sickusa.com

More representatives and agencies
at www.sick.com