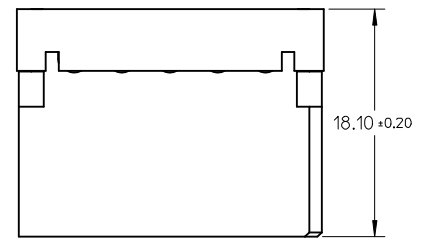
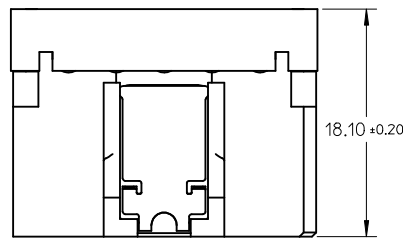
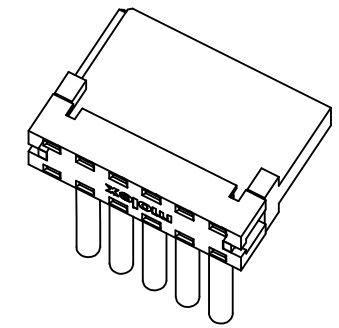
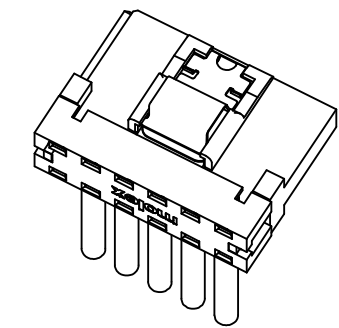
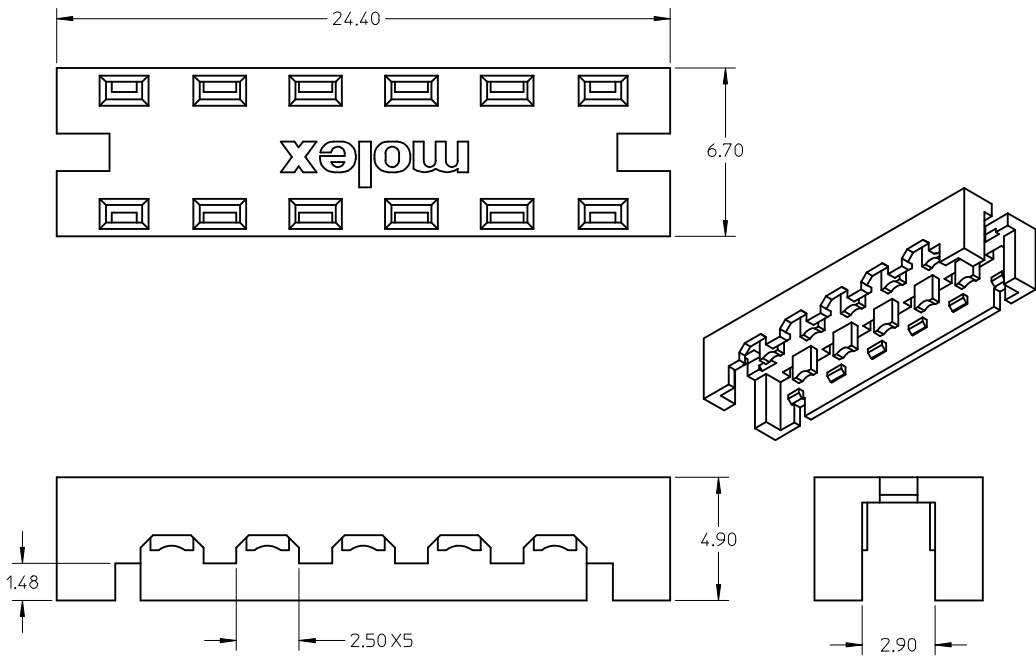


10 9 8 7 6 5 4 3 2 1



APPLICATION FOR WITH LATCH TYPE

APPLICATION FOR WITHOUT LATCH TYPE

- NOTE**
- 1 MATERIAL: THERMAL PLASTIC, COLOR: BLACK UL94V-0.
 - 2 THIS COVER IS FEED TO TYPE, IT IS AVAILABLE FOR 67926-000*/002*(WITH LATCH), 67926-001*(WITHOUT LATCH).
 - 3 PACKAGE SPEC:
 - 3.1 1000 PCS IN ONE BAG.
 - 3.2 3000 PCS(3 PAGES) IN ONE INNER CARTON.
 - 3.3 12,000 PCS(4 INNER CARTONS) IN ONE OUTER CARTON.

P/N	REMARK
67926-0040	NON HALOGEN-FREE
67926-0840	HALOGEN-FREE

ADD PART NUMBER EC NO: SH2009-0536 TDRW: XJ SONG 2009/05/05 CHKD: XJ SONG 2009/06/19 APPR: HWANG 2009/06/23	QUALITY SYMBOLS ▽=0 ▽=0	GENERAL TOLERANCES (UNLESS SPECIFIED)		DIMENSION STYLE MM ONLY		SCALE 5:1	DESIGN UNITS METRIC	THIRD ANGLE PROJECTION	
		4 PLACES ± --- ± --- 3 PLACES ± --- ± --- 2 PLACES ± 0.15 ± --- 1 PLACE ± 0.25 ± ---	mm INCH ± --- ± --- ± 0.15 ± --- ± 0.25 ± ---	DRAWN BY GRATE MA	DATE 2004/04/25	TITLE FEED TO COVER FOR SATA POWER CONNECTOR IDT TYPE			
		ANGULAR ± 1 °		CHECKED BY YAJUN	DATE 2004/04/25	MOLEX INCORPORATED			
		DRAFT WHERE APPLICABLE MUST REMAIN WITHIN DIMENSIONS		APPROVED BY SAM	DATE 2004/04/25	MATERIAL NO. SEE TABLE	DOCUMENT NO. SD-67926-003	SHEET NO. 1 OF 1	

9 8 7 6 5 4 3 2 1