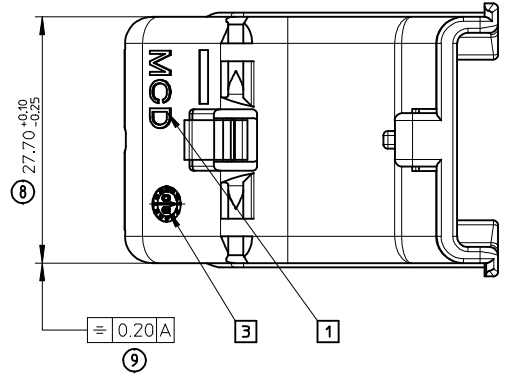
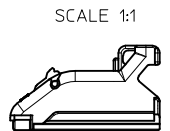
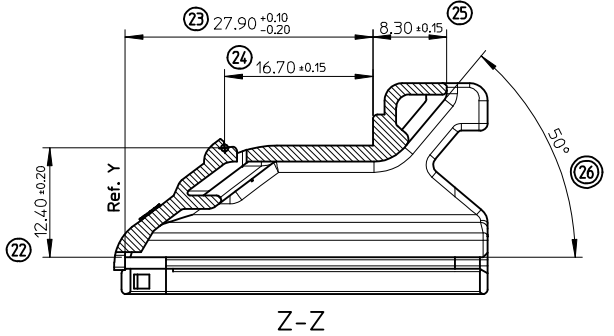
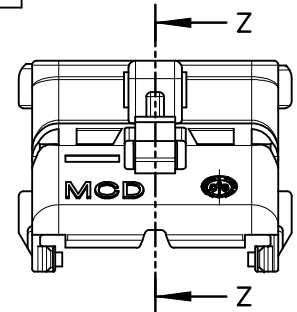
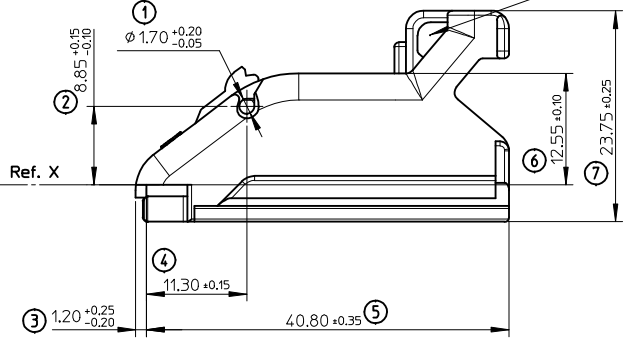
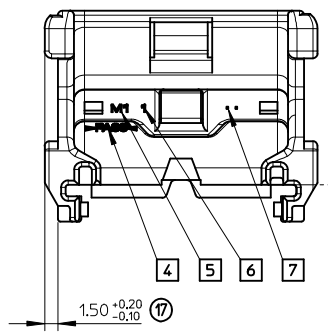


- NOTES:**
- 1- MATERIAL: PA 6.6 BLACK heat stabilized.
 - 2- DELIVERED PRODUCT WEIGHT: 3.6 g.
 - 3- RELATED COUNTERPART FEMALE CONNECTORS (32 WAYS).

- MARKINGS:**
- 1 Supplier identification.

- 3 Date: MONTH/YEAR.
- 4 Material.
- 5 Mould identification M1 or M2.
- 6 Print identification (number).
- 7 Revision level



UPDATE MARKING ON PART EC NO: G2013-0312 DRAWN: PGRANDCL 2013/04/16 CHKD: JDUCLOS 2013/04/16 APPR: CBOUCHAN 2014/02/03	QUALITY SYMBOLS 	GENERAL TOLERANCES (UNLESS SPECIFIED)		DIMENSION STYLE MM ONLY	SCALE 2.5:1	DESIGN UNITS METRIC	FIRST ANGLE PROJECTION
		mm	INCH	DRAWN BY: PGRANDCL DATE: 2013/04/16	TITLE: WIRE CAP 48 WAY MAT SEAL VERSION		
DESCRIPTION REV: C	4 PLACES ± --- ± ---	3 PLACES ± --- ± ---	2 PLACES ± 0.10 ± ---	1 PLACE ± 0.10 ± ---	CHECKED BY: JDUCLOS DATE: 2013/04/16	molex	
	0 PLACE ± 0.10 ± ---	ANGULAR ± 2 °		MATERIAL NO: 0643201301	APPROVED BY: CBOUCHAN DATE: 2014/02/03	DOCUMENT NO: SD-64320-002	SHEET NO: 1 OF 1
DRAFT WHERE APPLICABLE MUST REMAIN WITHIN DIMENSIONS		SIZE: A2		THIS DRAWING CONTAINS INFORMATION THAT IS PROPRIETARY TO MOLEX INCORPORATED AND SHOULD NOT BE USED WITHOUT WRITTEN PERMISSION			