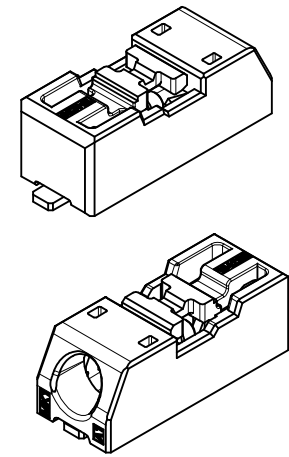
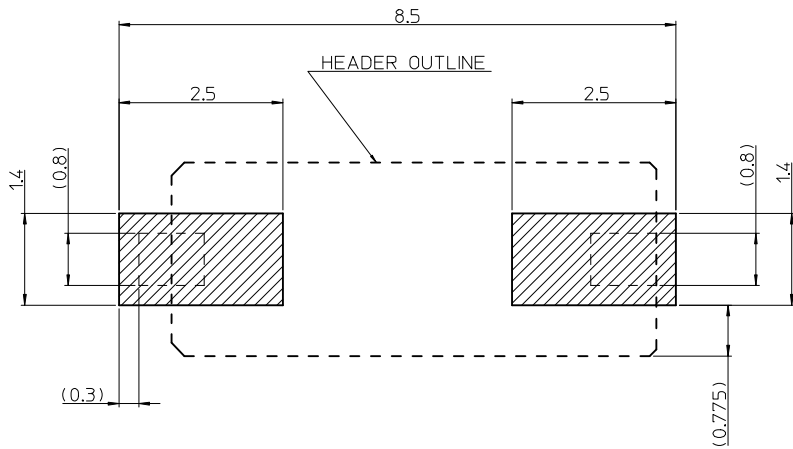
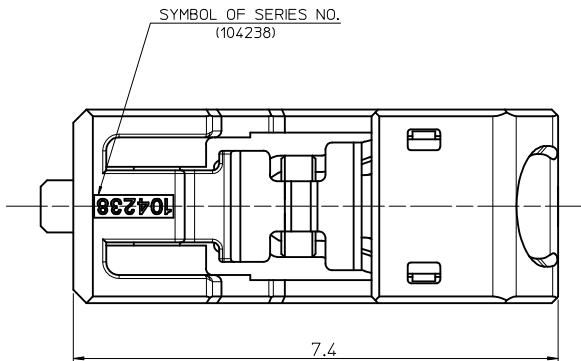


10 9 8 7 6 5 4 3 2 1

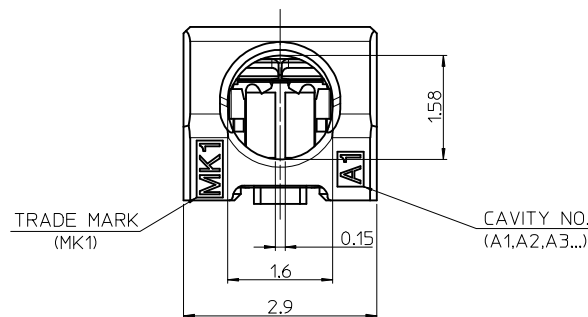
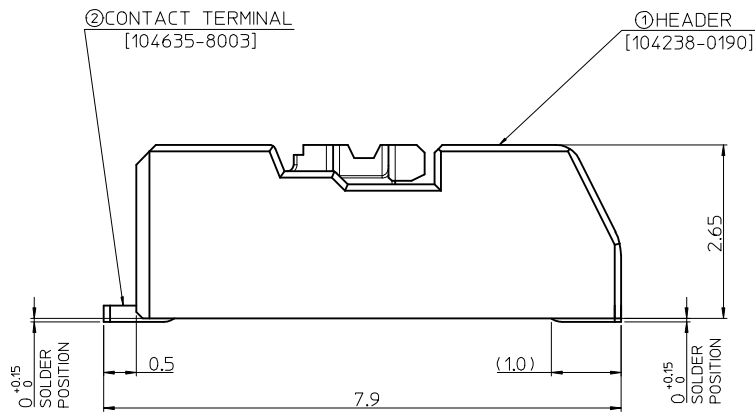


ISOMETRIC VIEW  
(SCALE 7/1)

RECOMMENDED PCB LAYOUT  
[GENERAL TOLERANCE : ±0.05]

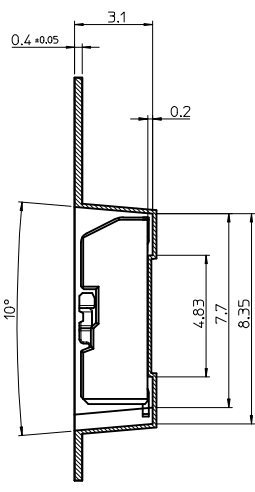
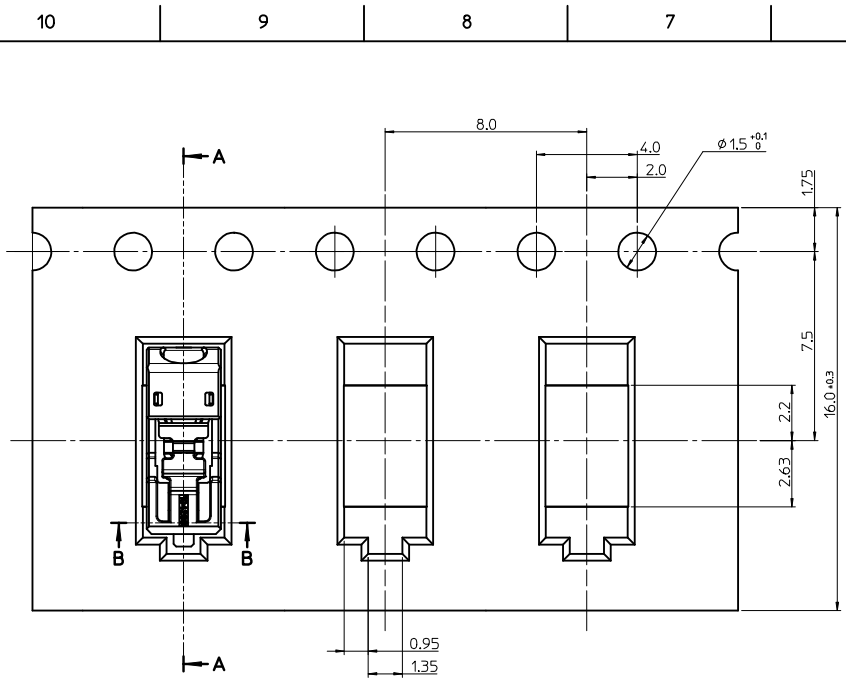
NOTE

- MATERIAL
  - ①- HEADER : LCP, GLASS FILLED, UL94V-0 HALOGEN FREE, COLOR OF NATURAL
  - ②- CONTACT TERMINAL : COPPER-ALLOY, 0.25mm THICKNESS
- PLATING
  - CONTACT TERMINAL : TIN -PLATED 0.84μm MINIMUM TIN PLATING
- PRODUCT SPECIFICATION : PS-104238-001
- PACKAGING SPECIFICATION : PK-104238-001
- COPLANALITY OF SOLDER TAILS (PEAK TEMP. : 260°C), BEFORE & AFTER REFLOW : 0.08 MAX.
- APPLICABLE SOLIDE WIRE RANGE : (OUTSIDE WIRE INSULATION : 1.48mm DIAMETER MAX.)
  - SOLID WIRE : AWG #26~#22



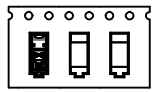
RELEASED EC NO: KOR2015-0096 DRWN: SCHONG03 2015/01/12 CHKD: SHCHU 2015/01/12 APPR: YSK1M02 2015/03/30	QUALITY SYMBOLS ▽=0 ▽=0	GENERAL TOLERANCES (UNLESS SPECIFIED)		DIMENSION STYLE MM ONLY		SCALE 13:1	DESIGN UNITS METRIC	THIRD ANGLE PROJECTION		
			mm	INCH	DRAWN BY	DATE	TITLE			
		4 PLACES	± ---	± ---	SCHONG03	2015/01/12	MINI LITE TRAP CONNECTOR HEADER ASS'Y -1P			
		3 PLACES	± ---	± ---	CHECKED BY	DATE				
	± 0.15	± ---	SHCHU	2015/01/12	<b>molex</b>					
2 PLACES	± 0.20	± ---	APPROVED BY	DATE						
1 PLACE	± ---	± ---	YSK1M02	2015/03/30	MATERIAL NO.		DOCUMENT NO.		SHEET NO.	
0 PLACE	± ---	± ---	ANGULAR ± 3 °		1042380110		SD-104238-001		1 OF 1	
DRAFT WHERE APPLICABLE MUST REMAIN WITHIN DIMENSIONS			SIZE	THIS DRAWING CONTAINS INFORMATION THAT IS PROPRIETARY TO MOLEX INCORPORATED AND SHOULD NOT BE USED WITHOUT WRITTEN PERMISSION						
A	REV									

9 8 7 6 5 4 3 2 1

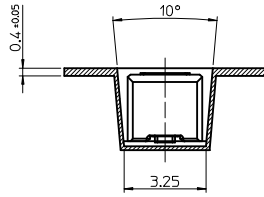


Section A-A

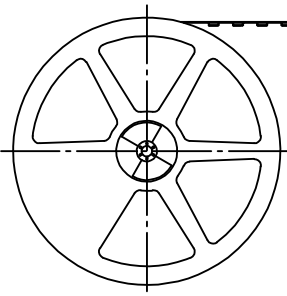
PULL OUT DIRECTION →



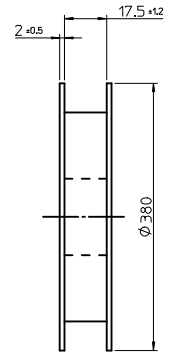
PULL OUT DIRECTION →



Section B-B



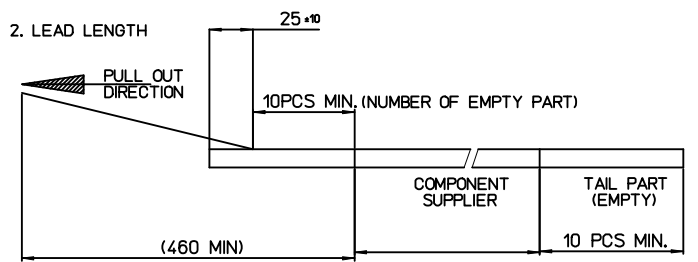
PLASTIC BOBBIN



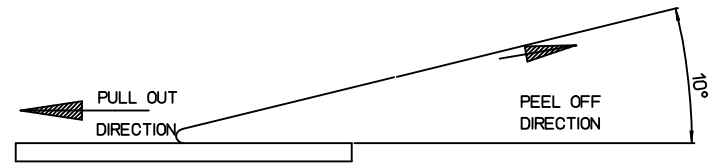
NOTES

1. QUANTITY OF CONNECTORS : 3,500 PCS/REEL

2. LEAD LENGTH



3. PEELING OFF FORCE OF COVER TAPE : 0.1N~0.59N(10.2GF~60GF)  
(PEELING DIRECTION AS SHOW IN FOLLOW FIG.)  
PEELING OFF SPEED : 300mm/Min.(Ref.)



4. FLASH IN ANY PORTION SHOULD BE LESS THAN 0.20mm MAX.  
5. UNLESS OTHERWISE SPECIFIED INNER R0.2 MAX

[TABLE]

1042380110	104238-0110	NATURAL	16.0mm	104238-9001
MATERIAL NO.	NO.	COLOR	TAPE WIDTH	EMBOSS TAPE
	CONNECTOR			

<b>RELEASED</b> EC NO: KOR2015-0074 DRWN: SCHONG03 2014/12/10 CHKD: SHCHU 2014/12/10 APPR: YSK1M02 2014/12/11	QUALITY SYMBOLS	GENERAL TOLERANCES (UNLESS SPECIFIED)	DIMENSION STYLE	SCALE	DESIGN UNITS	THIRD ANGLE PROJECTION
	$\nabla = 0$ $\sphericalangle = 0$	mm    INCH 4 PLACES ± --- ± --- 3 PLACES ± --- ± --- 2 PLACES ± 0.15 ± --- 1 PLACE ± 0.20 ± --- 0 PLACE ± --- ± ---	MM ONLY	5:1	METRIC	
	ANGULAR ± 1 ° DRAFT WHERE APPLICABLE MUST REMAIN WITHIN DIMENSIONS	DRAWN BY: SCHONG03 CHECKED BY: SHCHU APPROVED BY: YSK1M02 DATE: 2014/12/10 DATE: 2014/12/10 DATE: 2014/12/11	TITLE	MINI S-POKE CONN. -1P MINI LITE-TRAP CONN.1KCT EMBOSSED PACKAGE		
	MATERIAL NO. 1042380110 DOCUMENT NO. SD-104238-002 SHEET NO. 1 OF 1	THIS DRAWING CONTAINS INFORMATION THAT IS PROPRIETARY TO MOLEX INCORPORATED AND SHOULD NOT BE USED WITHOUT WRITTEN PERMISSION				