

**Eco-Power Power supply 1-phase, primary switched IN: 90-264 VAC VAC OUT: 24V/1,3ADC**

Input voltage: 90...264 V AC

Output: 24 V DC

Current: 1.3 A

**Image**

- stable output voltage, short-circuit and overload protected
- Wide voltage input
- touch protected (EN 60529) IP20

**Input**

Input voltage	90...264 V AC
Input current	0.7 A (115 V AC); 0.4 A (230 V AC)
Inrush current after 1 ms	<= 20 A
Primary fusing	max. 16 A
Frequency	50/60 Hz

**Output**

Output voltage	24 V DC (SELV), $\pm 1\%$
Nominal output current	1.3 A (+40 °C); 1.04 A (+50 °C)
Efficiency	85 % (115 V AC); 85 % (230 V AC)
Mains failure bridging	>= 10 ms (115 V AC); >= 90 ms (230 V AC)
Ripple	<= 20 mV eff
Spikes	<= 100 mV ss
Protection	Short-circuit and overload protected
LED display	LED (green) for output voltage
Parallel usage/serial usage	no/yes (max. 2 units)

**General data**

Standards	(EN 60950-1), (EN 61204-3), (EN 55011 B)
Mounting method	screw fixing, M3
Relative humidity	20...90 %, no condensation
Temperature range	0...+40 °C, to +50 °C derating (storage temperature -20...+85 °C)
Dimensions H x W x D	36 x 77 x 105 mm

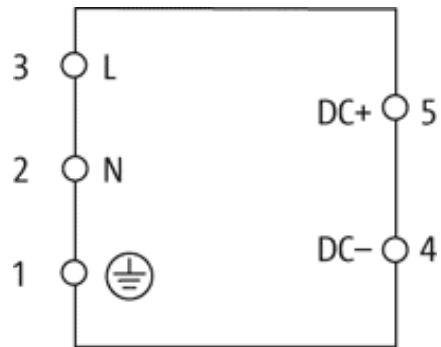
**Commercial data**

Gross weight	240
Net weight	240
Weight unit	gram
Basic unit	pc.
Customs tariff number	85044081
Unit (piece)	1
Limited value	1

**Comments**

Eco-Power switch mode power supplies meet the (EN 61000-3-2) guideline for harmonic current.

## Circuit diagram



## Dimension drawing

