

## Picco 24V/60W - primary switched power supply / 1-phase In: 110-230VAC / OUT: 24 - 28VDC - Screw connection

INPUT: 100...240 V AC; 120...370 V DC

OUTPUT: 24 V DC  $\pm$  1%

Current: 2.5 A

Screw terminal: 0.14...1.5 mm<sup>2</sup>

## Image



- stable output voltage, (short-circuit and overload protected)
- Wide voltage input
- Protection IP20

Vicarious picture

## Input

Input voltage	100...240 V AC; 120...370 V DC
Input current	1.1 A (115 V AC); 0.6 A (230 V AC)
Inrush current after 1 ms	max. 60 A
External fuse	max. 16 A
Frequency	50...60 Hz

## Output

Output voltage	24 V DC (SELV), $\pm$ 1 %; 24...28 V adjustable
Output current	2.5 A (+50 °C); 0.25 A (+70 °C)
Mains failure bridging time	10...25 ms (115 V AC)
Ripple	max. 20 mV rms
Short-circuit and overload protection	yes
Spikes	max. 100 mV p-p
LED display	LED (green) for output voltage
Parallel usage/serial usage	max. 5 units/max. 2 units

## General data

Standards	(EN 60950-1), (EN 61204-3), (EN 55022 B), (EN 61000-3-2)
Relative humidity	20...90 %, no condensation
Efficiency	86 % (110 V AC); 88 % (230 V AC)
Temperature range	0...+50 °C, to +70 °C derating (storage temperature -25...+70 °C)
Mounting method	DIN-rail mountable TH35 (EN 60715)

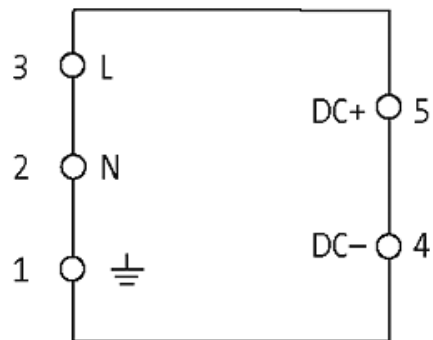
## Commercial data

Net weight	255
Weight unit	Gram
Basic unit	pc.
Customs tariff number	85044090
Unit (piece)	1
Minimum order quantity (piece)	1

All data on this data sheet was compiled carefully.

Liability regarding correctness, completeness, and actuality is limited to gross negligence. Created: 04/14

## Circuit diagram



## Dimension drawing

