

MIRO 6,2 Multi-timer 24VDC-1S IN: 24 VDC - OUT: 250 VAC/DC / 6A

Relay output
 Impulse expansion: 0.1...300 s
 Screw terminals

Image

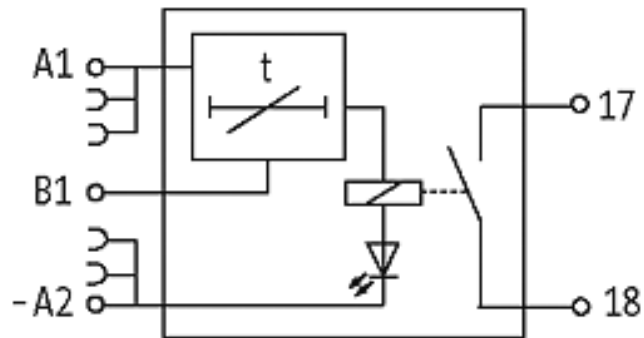

Vicarious picture

Input	
Input voltage	24 V DC (+10 -15 %) input A
Input current	20 mA (input A)
Control voltage	24 V DC (+10 -15 %) input B
Control current	5 mA (input B)
Output	
Output voltage	max. 250 V AC/DC
Output current	max. 6 A
Min. load current	10 mA (12 V DC)
Output rating	max. 1500 VA/120 W
Switching frequency	max. 10 Hz
Contact material	Ag Sn O ₂
Energize/release/contact bounce time	10/15/1.5 ms
General data	
Mech./ elect. life	20.000.000 switching cycles/load dependent
Test isolation voltage	4 kV; safe separation (EN 60947-1)
Temperature range	0...+55 °C
Mounting method	DIN-rail mountable (EN 60715)
Commercial data	
Net weight	36
Weight unit	Gram
Basic unit	pc.
Customs tariff number	85364190
Unit (piece)	1
Minimum order quantity (piece)	1

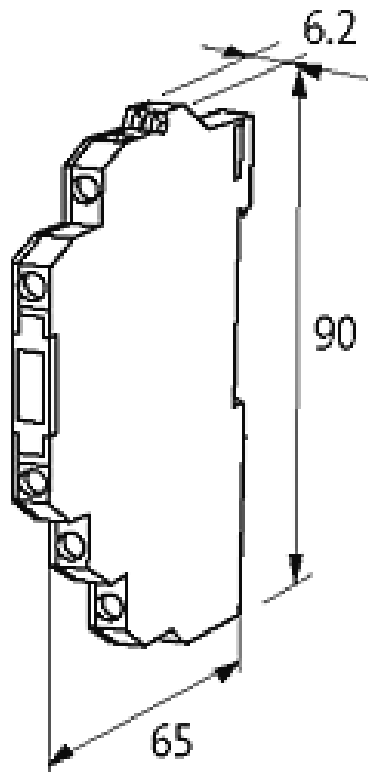
All data on this data sheet was compiled carefully.

Liability regarding correctness, completeness, and actuality is limited to gross negligence. Created: 05/14

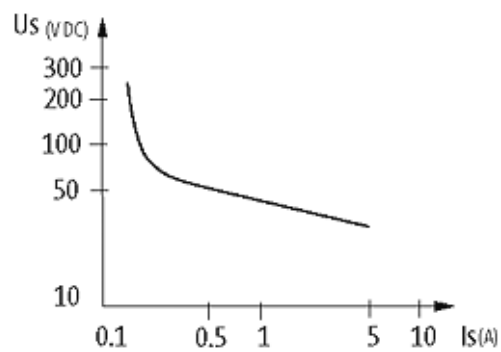
Circuit diagram



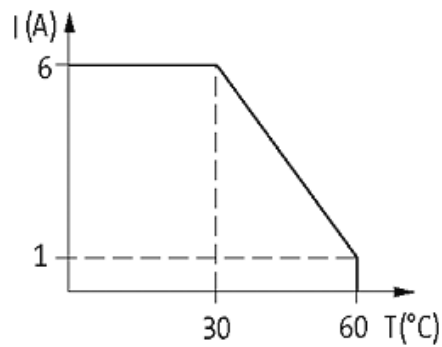
Dimension drawing



Load limit curve



De-rating curve



Functional diagram

Time	+A1	Function
0.1..1.2 s	Out	Switch on delay
0.4..5 s	Out	One shot
3.5..40 s	Out	Modulation, pause starting
30..300 s	Load	Modulation, pulse starting
	B1	Switch off delay time
	Load	