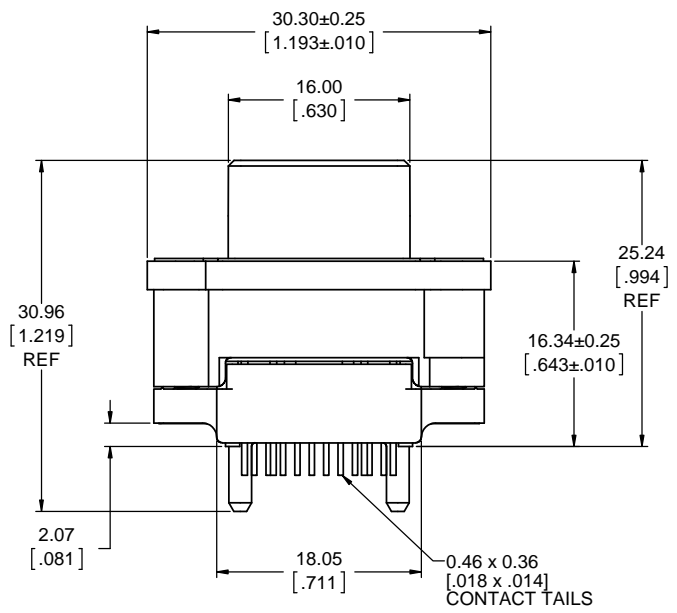
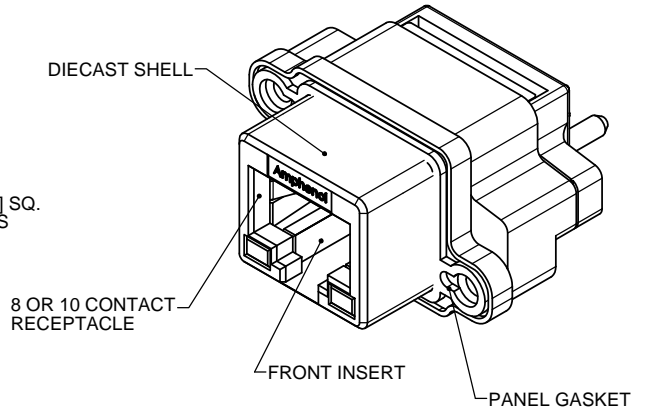
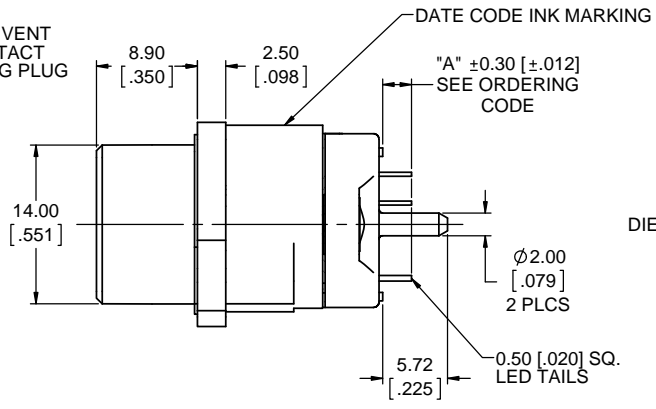
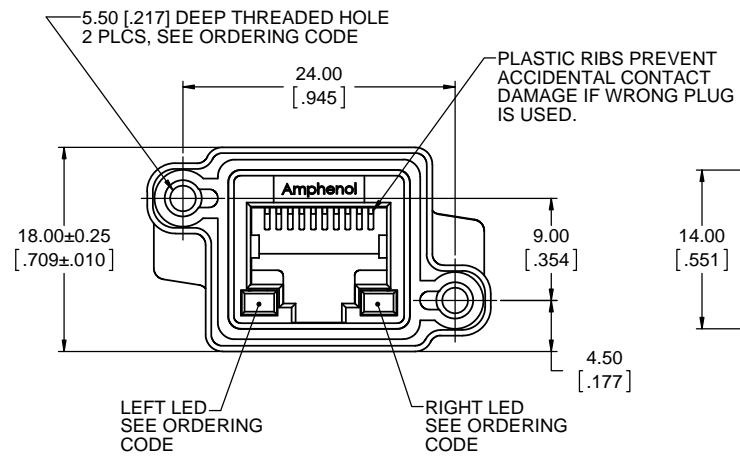


REVISIONS			
REV	DESCRIPTION, ECN, EAR NO.	DATE	APP'D
A	PROPOSAL DRAWING (EAR 14091)	JUL24/12	K.L.
B	PRODUCT DRAWING (ECN E12460)	DEC12/12	K.L.



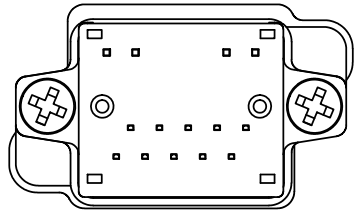
**ORDERING CODE: MRJR - 54 X X - X F**

- SERIES RUGGED RJ
- RJ 45 RECEPTACLE, VERTICAL PCB TAIL
- NUMBER OF CONTACTS
  - 8= 8 CONTACTS
  - A= 10 CONTACTS
- LED OPTION
  - 0 = NONE
  - 1 = LEFT GREEN, RIGHT YELLOW
  - 4 = LEFT YELLOW, RIGHT GREEN
  - 5 = LEFT GREEN, RIGHT GREEN
- TAIL LENGTH & MOUNTING HOLE THREAD OPTION
  - 0="A" 2.54, #4-40 UNC
  - B="A" 3.81, #4-40 UNC
  - M="A" 2.54, M3 x 0.5
  - P="A" 3.81, M3 x 0.5
- SINGLE PORT WITH THREADED MOUNTING HOLES

**SPECIAL CONNECTORS**  
 MANY UNIQUE FEATURES ARE READILY AVAILABLE TO SUIT CUSTOMER REQUIREMENTS. CONSULT WITH AMPHENOL CANADA FOR DETAILS.

**NOTES:**

1. MATERIAL:  
 ALL MATERIALS ARE RoHS COMPLIANT PER EU DIRECTIVE 2002/95/EC AND AMENDMENTS
  - SHELL - DIECAST ZINC, NICKEL PLATED
  - CONTACTS - PHOSPHOR BRONZE WITH 1.27µm [50µ"] MIN. GOLD OVER 1.27µm [50µ"] MIN. NICKEL ON THE MATING AREA AND MATTE TIN OVER NICKEL ON THE CONTACT TAILS.
  - INSERTS - ENGINEERING THERMOPLASTIC, UL94V-0 REAR INSERTS: BLACK NYLON, FRONT INSERT: CLEAR POLYCARBONATE.
  - GASKET: SILICONE RUBBER, CONDUCTIVE, BLACK.
  - LED'S - EPOXY LENS, STEEL TAILS WITH TIN PLATING.
2. ENVIRONMENTAL PERFORMANCE PER IEC 60529 CODE IP67 FOR SEAL BETWEEN MATING AREA AND PCB SIDE OF CONNECTOR GASKET PROVIDES SEAL TO INSIDE FACE OF PANEL.
3. CURRENT RATING: 1.5 AMPERES.
4. CONTACT RESISTANCE: 30 MILLIOHMS MAXIMUM.
5. OPERATING TEMPERATURE: -40 °C TO +150 °C.
6. LED CHARACTERISTICS: FORWARD DC CURRENT 25 mA MAX., FORWARD VOLTAGE 2.5V MAX. @ 2 mA.
7. RECOMMENDED TORQUE FOR PANEL MOUNT SCREWS: 0.45 TO 0.65 N-m (4.0 TO 5.75 IN-LBS) FOR STEEL SCREWS WITH 3.00 (.118) THREAD ENGAGEMENT.
8. CUSTOMER TO VERIFY THAT ALL PROCESS CLEANERS ARE COMPATIBLE WITH POLYCARBONATE MATERIAL.
9. AVAILABLE MATING AREA COVERS PROVIDE ADDED PROTECTION. CONSULT WITH AMPHENOL CANADA FOR DETAILS.



UNLESS SPECIFIED OTHERWISE	DRAWN	A.ESPIE	JUN11/12
PRIMARY UNITS MILLIMETERS	CHECKED		
SECONDARY UNITS INCHES	M.E. APP'D		
REFERENCE IN PARENTHESES	Q.A. APP'D		
GENERAL TOLERANCES	DWG APPR.	K.LAMBIE	JUL24/12
1 DECIMAL PLACE	ENG. REL. NO.	EAR 14091	
2 DECIMAL PLACES ±0.15	REF.		
3 DECIMAL PLACES	THIRD ANGLE PROJECTION		
ANGULAR DEGREES	DO NOT SCALE DRAWING		

**Amphenol Canada Corp.**  
 www.amphenolcanada.com  
**MRJR SERIES MODULAR JACK**  
**10 POSITION, 8 OR 10 CONTACTS,**  
**VERTICAL PCB TAIL, THREAD & TAIL**  
**LENGTH OPTIONS, RoHS COMPLIANT**

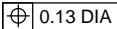
DWG. NO. **P-MRJR-54XX-XF** REV **B**

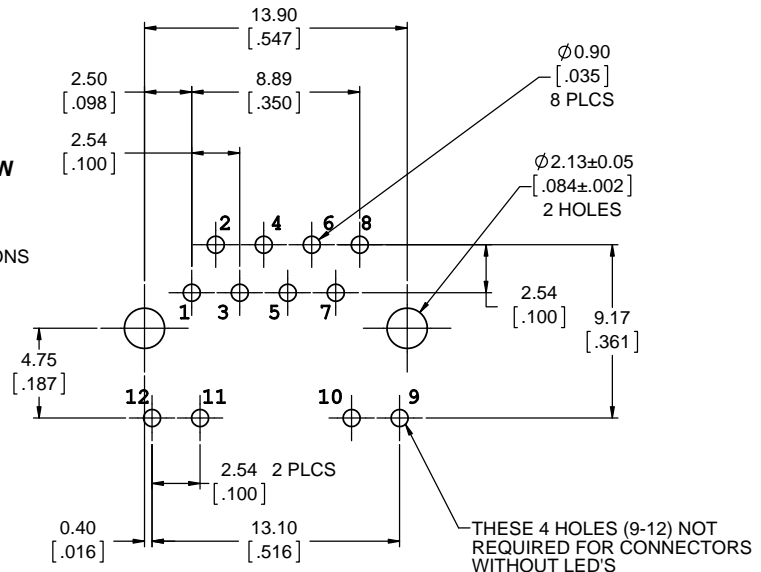
CODE ID NO. 03554 DWG SIZE: X SCALE: 3:1 SHEET 1 OF 2

**RECOMMENDED PCB LAYOUT  
COMPONENT SIDE OF BOARD**

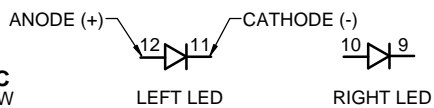
REVISIONS			
REV	DESCRIPTION, ECN, EAR NO.	DATE	APP'D
A	PROPOSAL DRAWING (EAR 14091)	JUL24/12	K.L.
B	PRODUCT DRAWING (ECN E12460)	DEC12/12	K.L.

**8 POSITION VIEW**

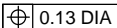
LOCATE HOLES  
 0.13 DIA  
 POSITION DIMENSIONS ARE BASIC.

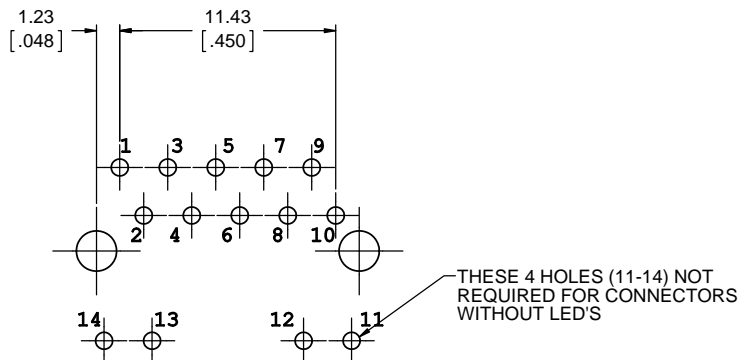


**8 POSITION LED SCHEMATIC  
GREEN OR YELLOW**

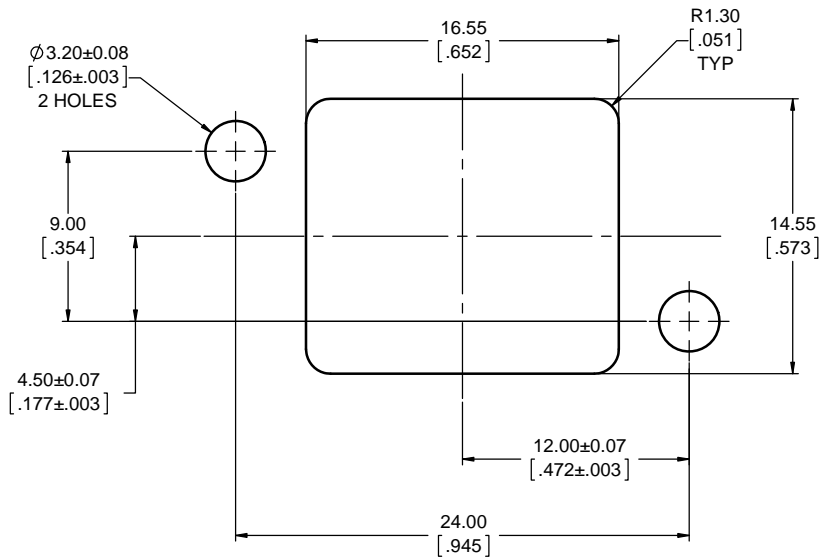
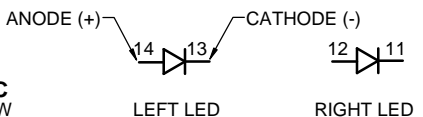


**10 POSITION VIEW**

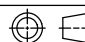
LOCATE HOLES  
 0.13 DIA  
 POSITION DIMENSIONS ARE BASIC.



**10 POSITION LED SCHEMATIC  
GREEN OR YELLOW**



**RECOMMENDED PANEL CUTOUT  
OUTSIDE PANEL VIEW**

UNLESS SPECIFIED OTHERWISE	DRAWN	A.ESPIE	JUN11/12
PRIMARY UNITS MILLIMETERS	CHECKED		
SECONDARY UNITS INCHES	M.E. APP'D		
REFERENCE IN PARENTHESES	Q.A. APP'D		
GENERAL TOLERANCES	DWG APPR.	K.LAMBIE	JUL24/12
1 DECIMAL PLACE	ENG. REL. NO.	EAR 14091	
2 DECIMAL PLACES ±0.15	REF.		
3 DECIMAL PLACES	THIRD ANGLE PROJECTION		DO NOT SCALE DRAWING
ANGULAR DEGREES			

**Amphenol Canada Corp.**  
 www.amphenolcanada.com  
**MRJR SERIES MODULAR JACK**  
 10 POSITION, 8 OR 10 CONTACTS,  
 VERTICAL PCB TAIL, THREAD & TAIL  
 LENGTH OPTIONS, RoHS COMPLIANT

DWG. NO. **P-MRJR-54XX-XF** REV **B**

CODE ID NO. 03554 DWG SIZE: X SCALE: 5:1 SHEET 2 OF 2