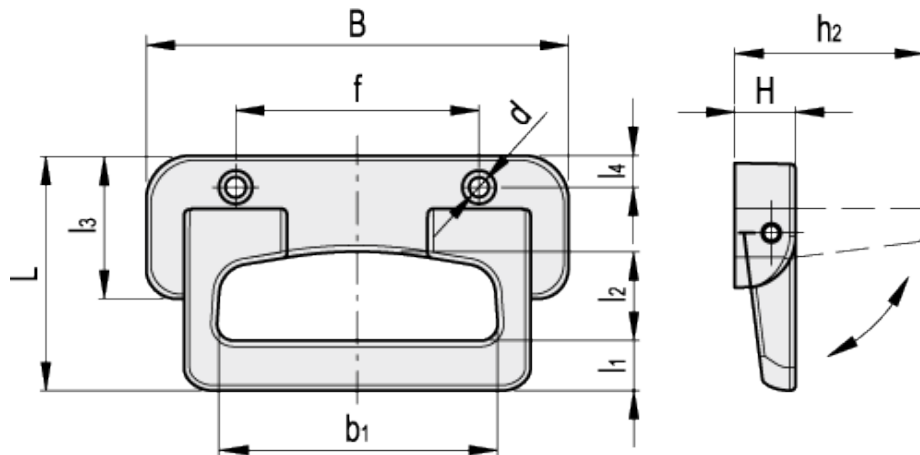


MPE

Folding handle
with return spring



ELESA Original design



technical informations

Material

Glass-fibre reinforced polyamide based (PA) technopolymer. Resistant to solvents, oils, greases and other chemical agents.

Colour

RAL 9005 black, matte finish.

Rotation pin and return springs

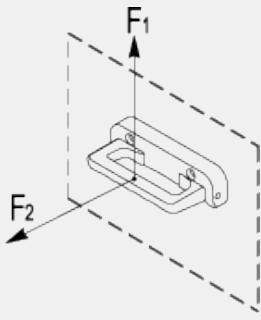
AISI 303 stainless steel pin, AISI 302 stainless steel springs.

Standard execution

Pass-through holes for countersunk-head screws with cross recess ISO-7046-1-M6 (not included in the supply).

Technical data

The lifting resistance (F1) and tensile strength (F2) values reported in the table are the result of permanent deformation by means of the appropriate dynamometric equipment under the test conditions shown in the figure with ambient temperature.



Assembly instructions

Drill holes with centre distance $80 +0.1/-0.1$ in the sheet.

Standard Elements		Main dimensions											F_1	F_2	Weight
Code	Description	B	L	H	f	h_2	b_1	l_1	l_2	l_3	l_4	d	[N]	[N]	g
43801	MPE.135	135	74	20	80	63	90	16.5	29	41	8	6.3	1700	2500	127



ELESA-GANTER models all rights reserved in accordance with the law. Always mention the source when reproducing our drawings.

STANDARD MACHINE ELEMENTS WORLDWIDE