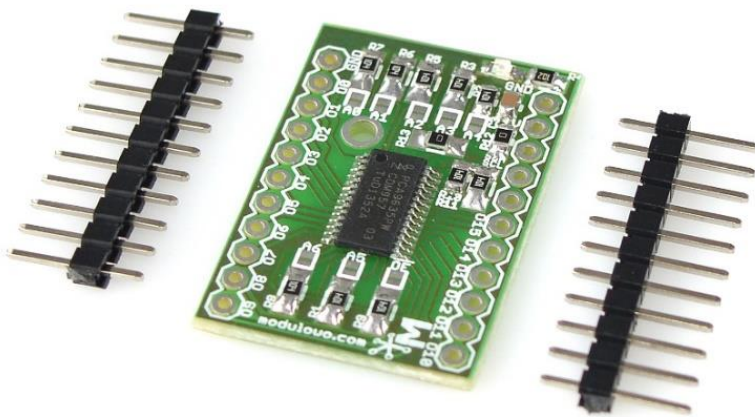


# Modułowo

## MOD - 23

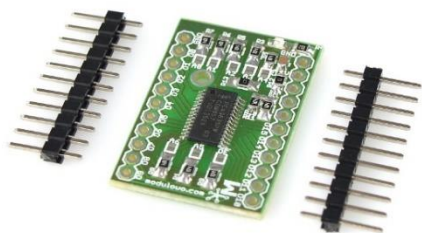
### 16-channel PWM LED Driver with I2C



Store: [store.modulowo.com](https://store.modulowo.com)  
Tutorials: [academy.modulowo.com](https://academy.modulowo.com)  
Documentation and schematics: [products.modulowo.com](https://products.modulowo.com)  
Software and projects: [app.modulowo.com](https://app.modulowo.com)  
Blog: [blog.modulowo.com](https://blog.modulowo.com)

**Modułowo sp. z o.o.**  
ul. Mokotowska 1,  
00-640 Warsaw, POLAND  
E-mail: [info@modulowo.com](mailto:info@modulowo.com)

USER MANUAL



*This Driver is equipped with 16 PWM channels, controlled by I2C interface, to which, for example, LEDs can be connected. You can save the leads of the microcontroller due to the fact that the connection of the I2C interface requires only 2 cables and power supply.*

The circuit enables the setting of a 7-bit address with the use of SMD A0-A6 jumpers. In addition, the ENABLE signal lead is available. The module can be installed on breadboards.

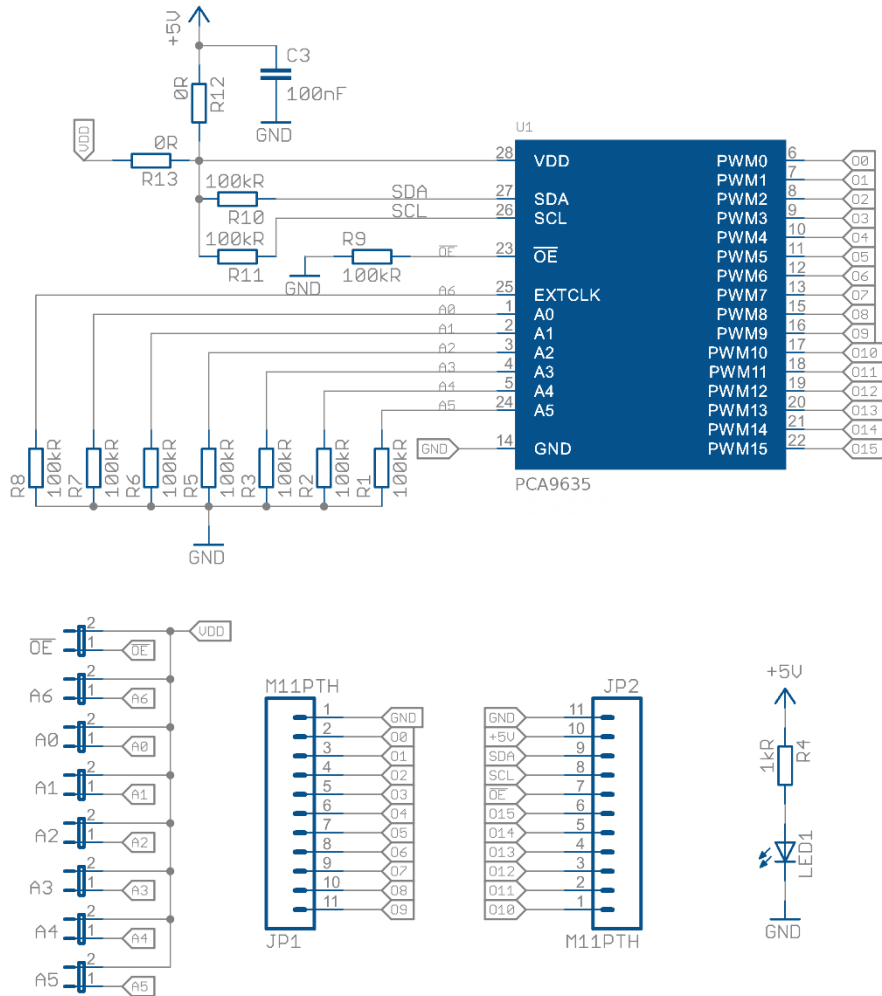
### Specifications:

<b>Code and Product Name</b>	<b>MOD-23 16-channel PWM LED Driver with I2C</b>
<b>Integrated Circuit</b>	PCA9635PW
<b>Output pins</b>	2x11 pin, +VCC, GND, PWM Outputs and SDA, SCL, ENABLE
<b>Power</b>	+ 2.3 V do + 5.5 V
<b>LED Indication</b>	yes
<b>Dimensions</b>	32 mm x 22 mm
<b>Configuration</b>	SMD A0-A6 jumpers for circuit addressing
<b>Additional Information</b>	double-sided tape for easy installation

### Your list of modules

Each module has a unique serial number. Go to [www.modulowo.com/list](http://www.modulowo.com/list), enter the serial number and add the module to your list. This will allow quick access to the documentation and software.

### Schematic:



### MOD-23

### Pinouts:

