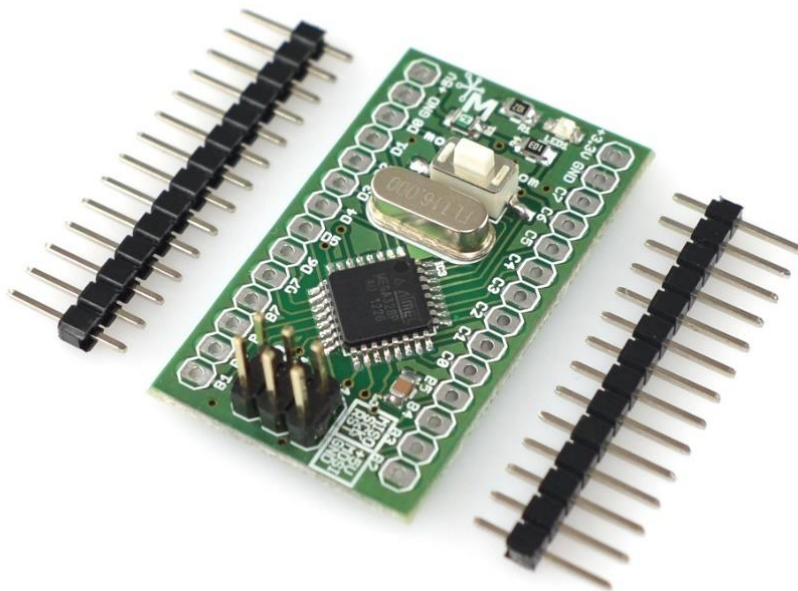




MOD - 10

ATmega328P Development Board with Protection



Store: store.modulowo.com
Tutorials: academy.modulowo.com
Documentation and schematics: products.modulowo.com
Software and projects: app.modulowo.com
Blog: blog.modulowo.com

Modułowo sp. z o.o.
ul. Mokotowska 1,
00-640 Warsaw, POLAND
E-mail: info@modulowo.com

USER MANUAL



The module is used to create prototypes and projects based on the popular ATmega328P microcontroller. It is possible to mount another AVR microcontroller, if only pin leads coincide with ATmega328P.

Pins are fitted to the breadboard. The module can be mounted on the breadboard and you can further develop your project. Thanks to the SPI connector you can quickly install a new firmware.



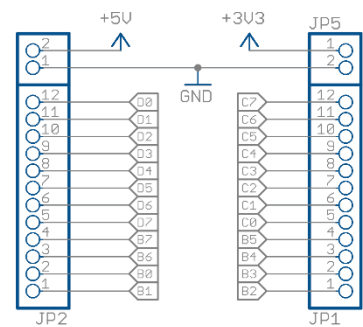
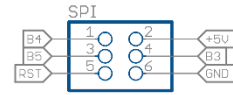
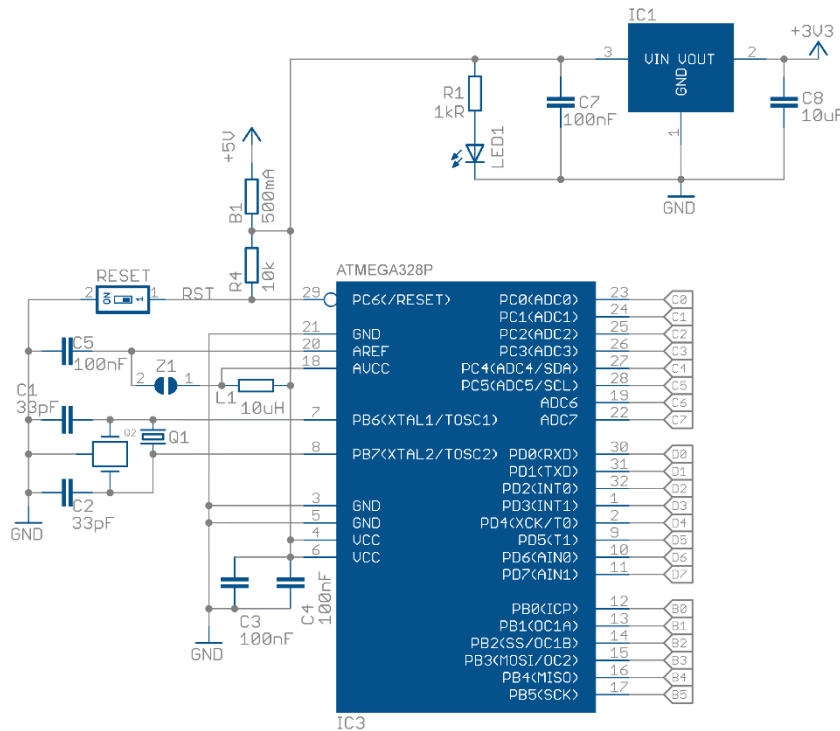
Specifications:

Code and Product Name	MOD-10 ATmega328P Development Board with Protection
Integrated Circuit	ATmega328P, LM1117-3.3
Protection	Polymer Fuse 500mA
Clock Frequency	16MHz
Programming	SPI
Output Pins	2 x 14, fitted to the breadboard
Power	+ 4.5 V do + 5 V
LED Indication	yes
Dimensions	39 mm x 24mm
Configuration	AREF VCC/GND Select Jumper
Additional Information	+3.3V output voltage enables the supply of additional modules
	RESET switch
	an option of a simple connection of the USB/UART MOD-05 converter

Your list of modules

Each module has a unique serial number. Go to www.modulowo.com/list, enter the serial number and add the module to your list. This will allow quick access to the documentation and software.

Schematic:



MOD-10

Pinouts:

