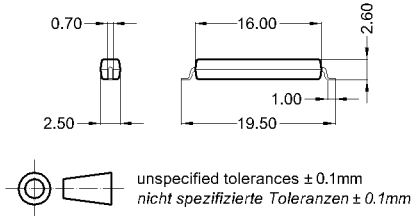


**Dimensions**

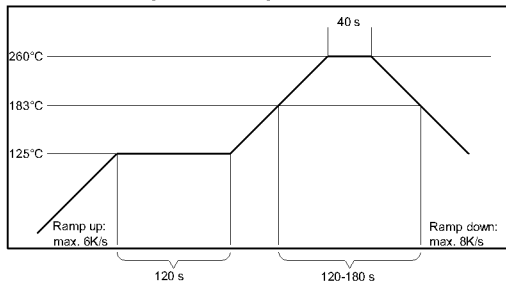


**Marking**  
 Sensibility and DateCode  
 EN60062

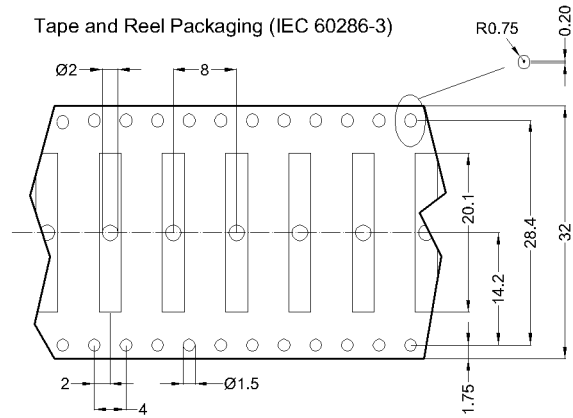


**Lötvorschrift / soldering information**

reflow soldering conditions according to JEDEC nom J-STD-020C



**Tape and Reel Packaging (IEC 60286-3)**



Magnetic properties	Conditions	Min	Typ	Max	Unit
Pull-In	at 20 °C	55		90	AT
Test equipment		KMS-11			
Pull-In in milliTesla (modified conta	MS150 - phys. caused tolerance +/- 0,1mT	2,4		4	mT
Test equipment		MS-150			

Contact data 66/1	Conditions	Min	Typ	Max	Unit
Contact-material		Rhodium			
Contact rating	Any DC combination of V & A not to exceed their individual max.'s			10	W
Switching voltage	DC or Peak AC			180	V
Switching current	DC or Peak AC			0,5	A
Contact resistance static	Measured with 40% overdrive Start Value			150	mOhm
Breakdown voltage (>20 AT)	according to IEC 255-5	200			VDC

Special Product Data	Conditions	Min	Typ	Max	Unit
Housing material		epoxy resin			
Approval		UL- File-Nr. E156887			

Modified dimensions	Conditions	Min	Typ	Max	Unit
total length - SMD			19,5		mm

Environmental data	Conditions	Min	Typ	Max	Unit
Shock	1/2 sine wave duration 11ms			30	g
Vibration	from 10 - 2000 Hz			20	g
Operating temperature		-40		130	°C
Storage temperature		-50		130	°C
Washability		fully sealed			