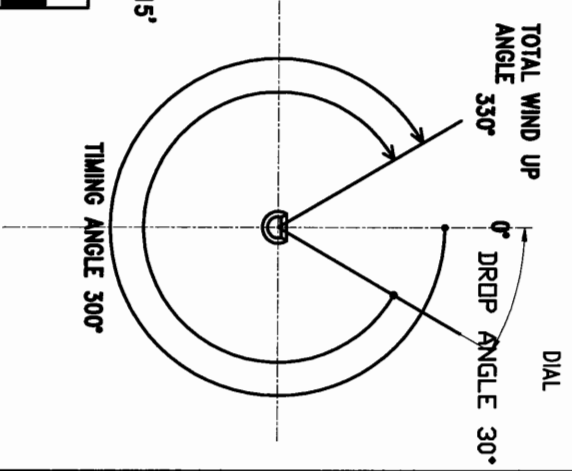


CIRCUIT	0	C30	15°
1-2			
1-3			
4-6			
4-5			



CHARACTERISTICS

ELECTRICAL CHARACTERISTICS

standard switch : CEE 24
 Rated amperege : 16(4) A
 Rated voltage : 250 V
 Type of current : Vac
 Switch configuration: DPDT
 Switch for appliance classe II
 Number of electrical operations : 10 000
 connections terminal : 6,35 x 0,8

MECHANICAL CHARACTERISTICS

Winding torque : 1.5 to 4.5 Kg.cm
 Return torque to zero position: 1 to 4.5 Kg.cm
 timing : 15°
 timing range : ±10%
 Residual operating torque : 0,1 Kg.cm
 Torque of manual position : /

THERMAL CHARACTERISTICS

Maximum temperature of use : 125° C

MARKING ON BACK CASE

Type M/2
 T = 125°C
 Identification of terminals

APPROVALS

UL- SEMKO- ENEC10 VDE- CSA- IMQ
 16A 250V AC RESISTIVE
 4A 250V AC INDUCTIVE

MARKING

Label of the timer : 4 numbers
 week of production : 2 numbers
 Year of production : 2 numbers

CUSTOMER : OEM ELECTRONICS SP Z.O.O.	WEIGHT BY 1000	USE: /
CUSTOMER PART NUMBER : M2R206 15'	COLOR: BLACK	SETS M/2
M/2/15/300/330/14400L/C30/M000/23/22.5/6.0MT4.6		2093 E
DRAWN BY : MARTINET.C	DATE: 16/02/10	SCALE: 1/1
FAUCIGNY INSTRUMENTS		