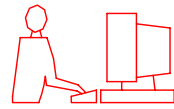
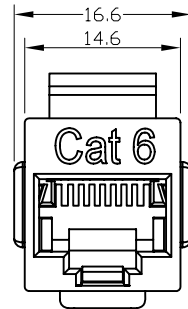
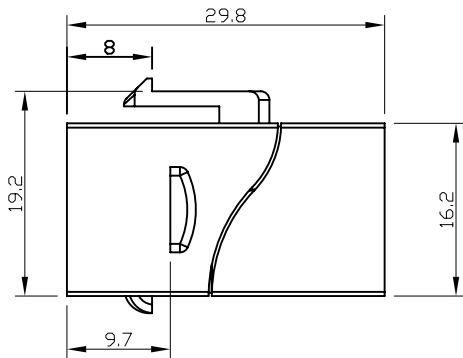
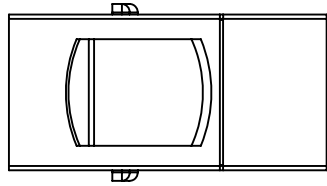


THIS IS A C.A.D. GENERATED DRAWING  
DO NOT MAKE MANUAL REVISIONS TO MASTER.



\* UNLESS OTHERWISE SPECIFIED TOLERANCES  
ON DECIMAL IS: ANGLE ± 1°  
UNIT: MM .XX ± 0.35



**Electrical specification:**

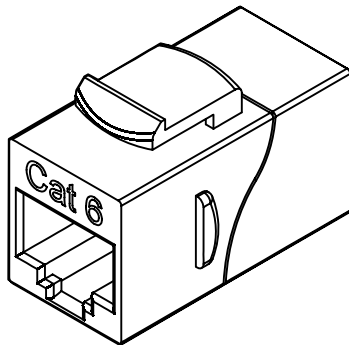
Insulation resistance: 500MΩ  
Dielectric withstanding voltage: 1000V AC  
DC current rating: 1.5A  
DC resistance: 0.1Ω  
Contact resistance: 20mΩ

**Physical specification:**

Coupler housing: polycarbonate resin high - impact UL94V-0 Thermoplastic  
Contact holder: ABS high - impact UL94V-0 Thermoplastic  
Spring wire: phosphor bronze 5100W temper wire, Ø=0.45mm, 3U AU / 30U PDNI over 60U nickel undercoat  
Insertion life: 750 mating cycles with standard compliant RJ45 plug  
Operating temperature: -10°C to 60°C  
Storage temperature range: -40°C to 68°C  
Humidity: 10%~90%RH

**Standard Verification:**

ANSI/TIA-568-B.2-1 channel compliant  
ISO/IEC 11801 Class E channel compliant  
ISO/IEC 60603-7, UL 1863



THIS SERIES FULLY CONFORMS TO THE  
EUROPEAN UNION DIRECTIVES 2002/95/EC  
AND 2002/96/EC FOR RoHS COMPLIANCY.



|  |  |          |                 |                  |
|--|--|----------|-----------------|------------------|
| THESE DRAWINGS AND SPECIFICATIONS ARE THE PROPERTY OF MH CONNECTORS LTD. AND SHALL NOT BE REPRODUCED, COPIED OR USED AS THE BASIS FOR THE MANUFACTURE OR SALE OF APPARATUS WITHOUT WRITTEN PERMISSION. |  |          | DRAWN<br>Johnny | DATE<br>09-18-12 |
|  |  |          | APPROVED        | DATE             |
| SCALE  |  | SHEET OF | REV:            |                  |
|  |  | 1 OF 1   | 1.0             |                  |
| DRAWING No<br>39-763631142   |  |          |                 |                  |

RJ45 UNSHIELDED COUPLER PANEL  
MOUNTED CAT6 OFFSET PIN BLACK.