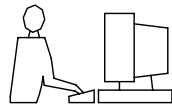
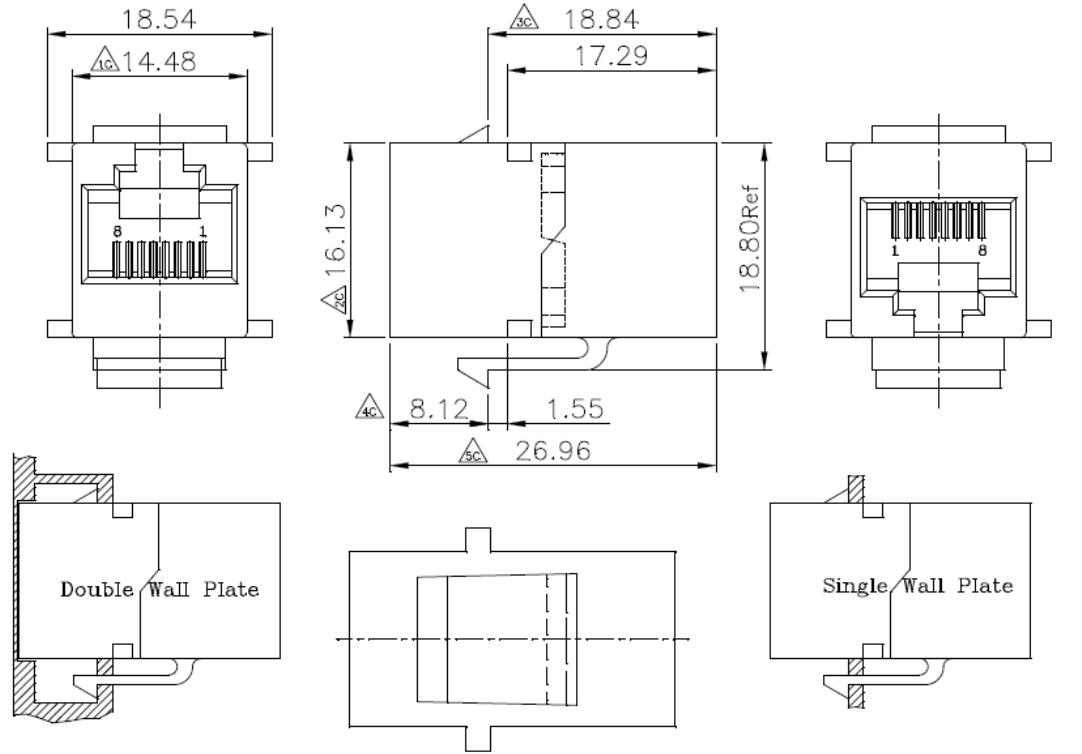


THIS IS A C.A.D. GENERATED DRAWING  
DO NOT MAKE MANUAL REVISIONS TO MASTER.



\* UNLESS OTHERWISE SPECIFIED TOLERANCES  
ON DECIMAL IS: ANGLE  $\pm 1^\circ$   
.XX  $\pm 0.35$

UNIT: MM



Electrical:  
Contact current rating: 1.5AMPS  
Dielectric withstanding voltage: 500VAC  
Insulation resistance: 1000 MegOhms Min.  
Contact resistance: 30 MilliOhms Max  
Operating temperature: -55°C to +85°C

Materials:  
Contacts: Phospher bronze  
Insulator: Thermoplastic UL 94V-0  
Gold plating:6 microinch

Front Panel Jack Only Clearance  
W/O Latch Feature

Recommended Panel  
Cut Out

Single Panel - Latch Clearance  
Panel Thickness 0.062 inch

THESE DRAWINGS AND SPECIFICATIONS ARE THE  
PROPERTY OF MH CONNECTORS LTD. AND SHALL NOT  
BE REPRODUCED, COPIED OR USED AS THE BASIS FOR  
THE MANUFACTURE OR SALE OF APPARATUS WITHOUT  
WRITTEN PERMISSION.

DRAWN JOHNNY		DATE 08-21-12	
APPROVED		DATE	
SCALE 1:1	SHEET OF 1 OF 1	REV: 1.0	
DRAWING No MH3101-8821			



THIS SERIES FULLY CONFORMS TO THE  
EUROPEAN UNION DIRECTIVES 2002/95/EC  
AND 2002/96/EC FOR RoHS COMPLIANCY.



MH CONNECTORS LTD.