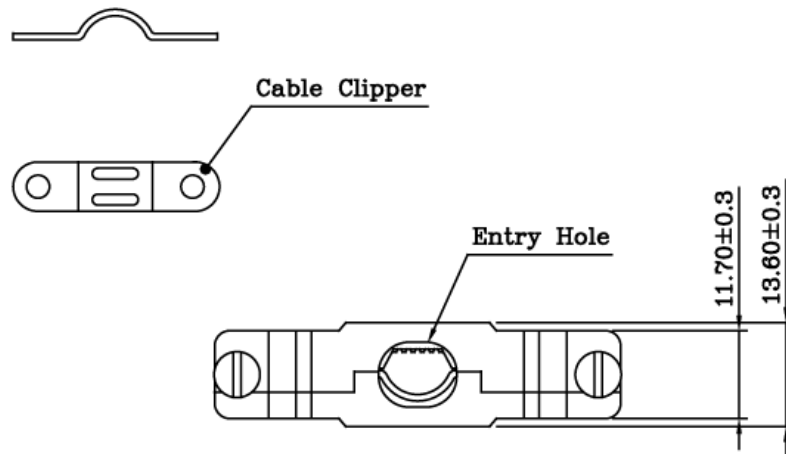
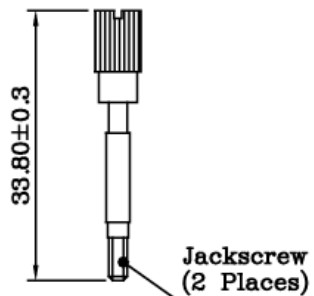


• **MATERIALS:(RoHS Compliant)**

- Back Shell: Zinc Alloy Nickel Plated Over Copper
- Flat Screws: Steel Nickel Plated Over Copper
- Cable Clipper: Steel Nickel Plated Over Copper
- Jackscrews: Steel Nickel Plated Over Copper



MD5 MS 50 S XX X

NO OF CONTACT: \_\_\_\_\_

50 Pos

ENTRY HOLE SIZES: \_\_\_\_\_

9= (ø9.0)

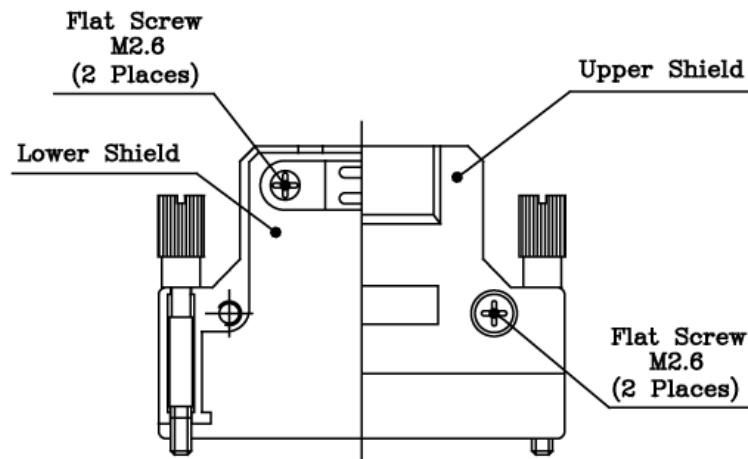
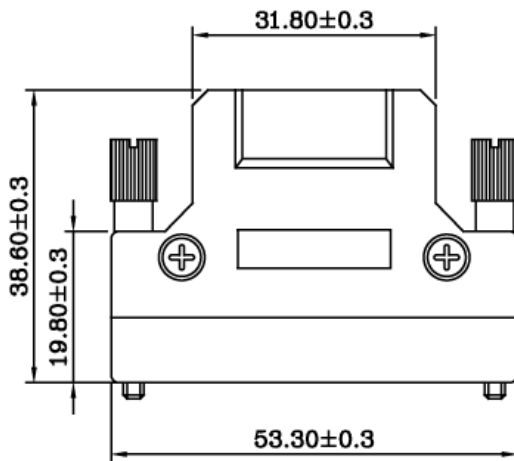
11= (ø11.0)

THREADS FINISHES: \_\_\_\_\_

1= Jackscrews #2-56

2= Jackscrews #4-40

3= Jackscrews M2.6



TOLERANCE (mm)	APPROVALS	DATE	TITLE	AMPHENOL Amphenol European Design Center	
X. ±0.3	DRAWN Stephane	01/Mar/2009	MD5 Metal Hood Screw Type	Scale N.A.	Sheet 1 of 1
XX ±0.2	CHECKED Rob	01/Mar/2009			
X.XX ±0.15	APPROVED Rob	01/Mar/2009			
UNLESS OTHERWISE SPECIFIED	UNIT: mm		SIZE: A4	DRAWING N° MD5MS50SXXX	REV. A