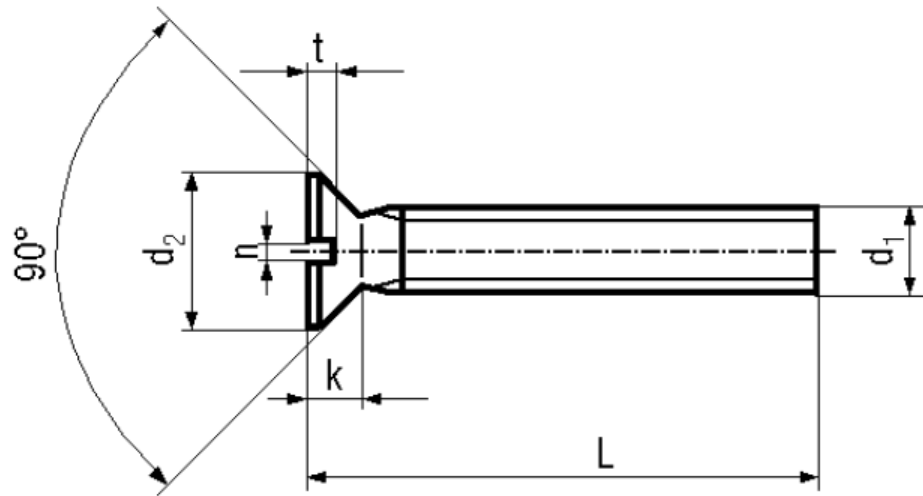


## BN 1066

Slotted flat countersunk head screws

~DIN 963 A  
~ISO 2009  
~UNI 6109



Material	Polyamide 6.6	Quality	PA 6.6
Color	white		

### Article No. - 1403257

d <sub>1</sub>	M5
L	20
d <sub>2</sub>	9,2
k	2,5
n	1,2
t	1

DIN 963: Standard withdrawn