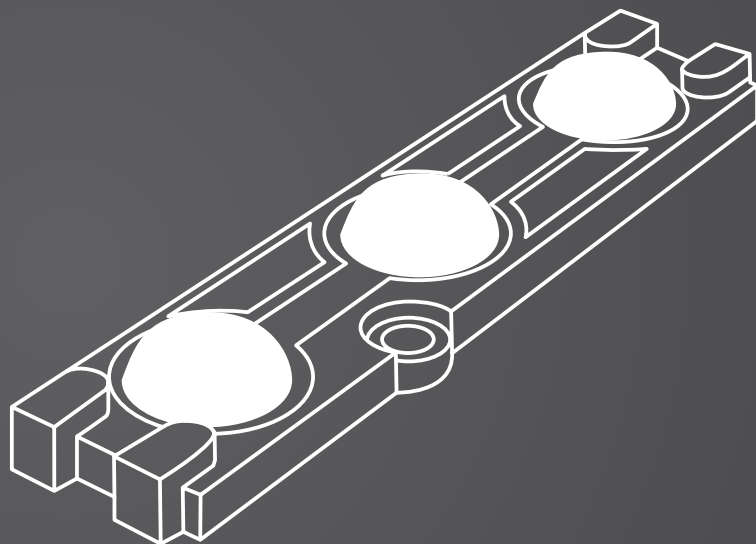


LEDDEX Value Line

LED Module for large signage

- _ Wide lighting angle - 160°
- _ High luminous efficiency - 100 lm/W
- _ CC driver
- _ 3 years warranty
- _ Narrow and slim body
- _ Can be cut between every module

3 YEAR
WARRANTY



LMV-LMAX-X3

GENERAL INFORMATION

FEATURES

- _ High reliability LEDs
- _ High luminous efficiency - 100 lm/W
- _ Wide lighting angle lens - 160°
- _ Constant current driver (CC)
- _ Can be cut between every module
- _ Attached 3M double-sided adhesive tape

APPLICATIONS

- _ Typically used in large signage
- _ Can depth/returns: 100 - 200 mm
- _ Large light boxes
- _ Thick letters
- _ Double-sided totems/pylons

VISUAL APPEARANCE



TECHNICAL SPECIFICATIONS

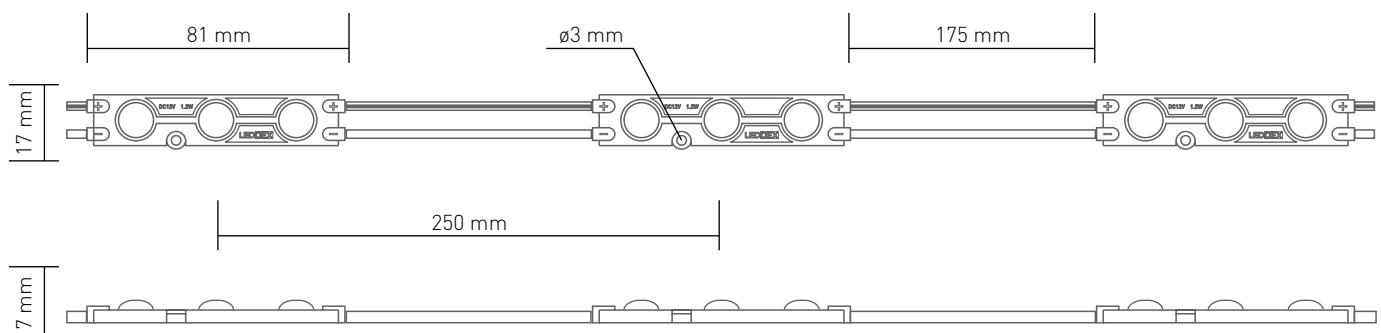
MAIN SPECIFICATIONS

Product code	LMV-LMAX-W3
Available colors	white
Color temperature, K	7000-7500K
Power, W	1.20W
Typical luminous flux, lm	120 lm
LED Type	5050
Dimensions	81 x 17 x 7 mm
Protection class	IP66 - fully enclosed body

OTHER SPECIFICATIONS

Drivers	Constant current (CC), Dimming: available
Working temperature	-30C° ~ +50C°
Cable length	Cable: 175 mm, Between centers: 250 mm
Mounting	Double-sided adhesive tape and mounting hole
Packaging	30 pcs. per bag, 1500 pcs. per outer carton

TECHNICAL DRAWING



LMV-LMAX-X3

LAYOUT AND SIZE COMPARISON

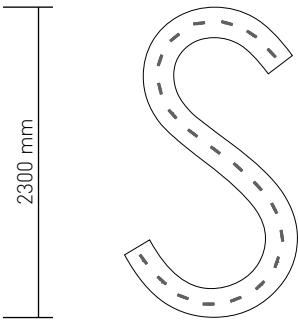
DEPTH RECOMMENDATION

VALUE SERIES LED MODULES

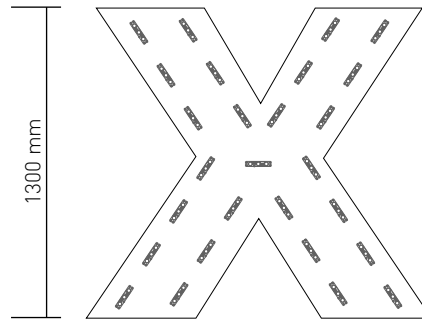
Product	Letter / Lightbox / Projector sign depth, mm																						
	40	50	60	70	80	90	100	110	120	130	140	150	160	170	180	190	200	210	220	230	240	250	
LMV-MINI-X2	◆	◆	◆																				
LMV-LMIN-S-X1	◆	◆	◆	◆	◆																		
LMV-LMID-S-X3		◆	◆	◆	◆	◆	◆	◆	◆	◆	◆	◆	◆										
LMV-LMAX-X3							◆	◆	◆	◆	◆	◆	◆	◆	◆	◆	◆	◆	◆	◆	◆	◆	◆

LAYOUT EXAMPLE

LMV-LMID-S-X3 LED MODULE



Height: 2300 mm
Stroke: 210 mm
Depth: 150 mm
Brightness: ~1250 lx
Typeface: Century Gothic



Height: 1000 mm
Stroke: 320 mm
Depth: 100 mm
Brightness: ~1800 lx
Typeface: Arial Black

SIZE COMPARISON

VALUE SERIES LED MODULES

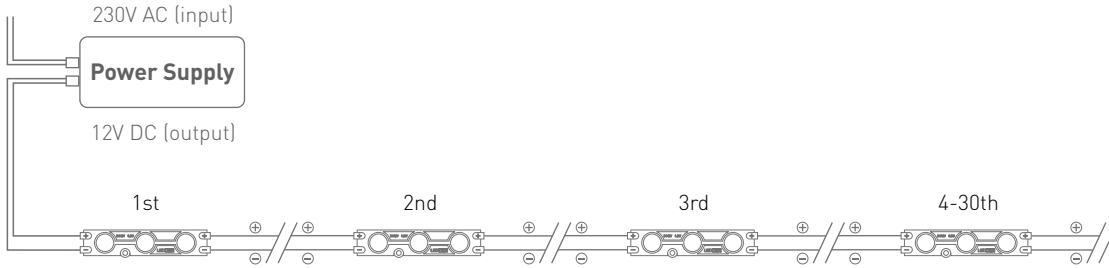
Product	Actual proportions of the LED modules	
LMV-MINI-X2		
LMV-LMIN-S-X1		
LMV-LMID-S-X3		
LMV-LMAX-X3		

LMV-LMAX-X3

CONNECTION IN SERIES AND PARALLEL

CONNECTION IN SERIES

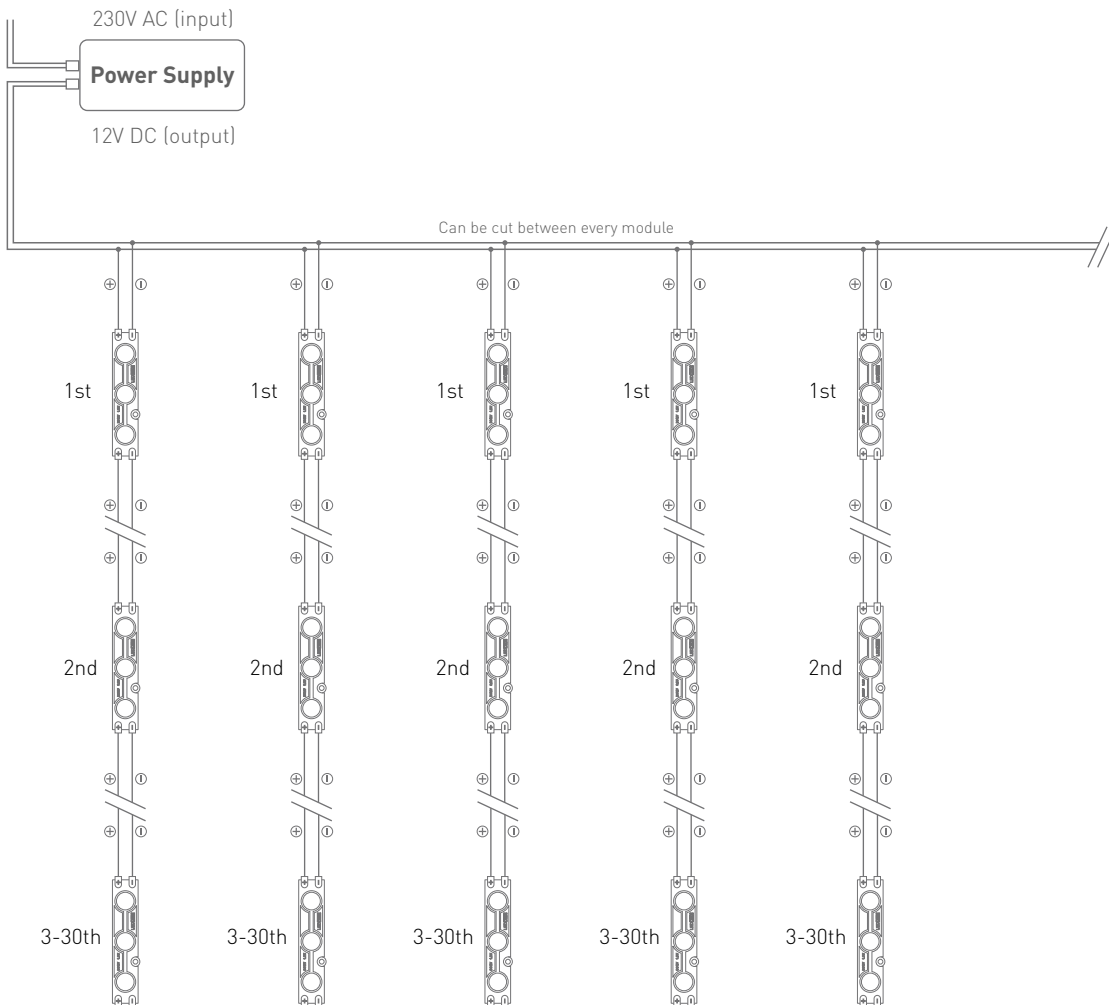
IN SERIES



Can be cut between every module

CONNECTION IN PARALLEL

IN PARALLEL



Can be cut between every module

LMV-LMAX-X3

_POWER SUPPLIES AND PACKAGING

POWER SUPPLIES

MAX. NO. OF MODULES PER POWER SUPPLY

Product	LPS-12V18W Power: 18W	LPS-12V60W Power: 60W	LPS-12V100W Power: 102W
LMV-MINI-X2 (0.3W per pc.)	50	167	278
LMV-LMIN-S-X1 (0.36W per pc.)	42	140	233
LMV-LMID-S-X3 (0.72W per pc.)	21	69	117
LMV-LMAX-X3 (1.20W per pc.)	13	42	70

PACKAGING

NO. OF MODULES PER PACKAGE

Product	Plastic bag	Outer carton
LMV-MINI-X2	500	10000
LMV-LMIN-S-X1	180	1980
LMV-LMID-S-X3	100	2000
LMV-LMAX-X3	30	1500

